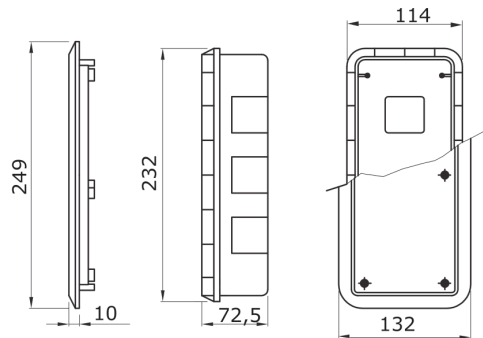


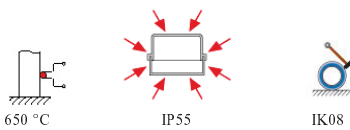


For walls	Masonry	Glow Wire Test	650 °C
Houseable interloc. socket	1	IP degree	IP55
Shock resistance	IK08	Houseable IB socket-outlets	16/32 A SBF / CBF / Automatika
Electrocod	2222	Drilling bottom	Through multidiameter cutter
Minimum installation temperature	-15°C		

DIMENSIONAL



TECHNICAL SYMBOLOGY



STANDARDS/APPROVALS



<p>GEWISS S.p.A. Via A. Volta, 1 24069 Cenate Sotto - Bergamo - Italy tel. +39 035 94 61 11 fax +39 035 94 69 09</p>	<p>www.gewiss.com sat@gewiss.com Last update 22/05/2018</p>	<p>Data, measures, designs and pictures are shown only as informativ purposes, and could be changed without previous notice</p>
--	---	---