



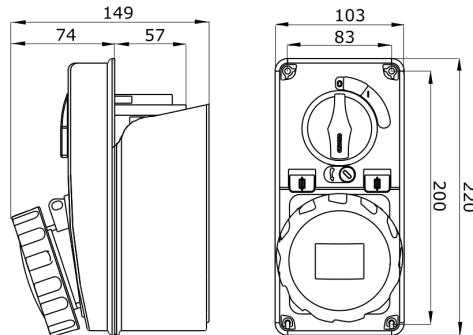
Industrial-type socket-outlets conforming to IEC 309 Standard, with mechanical interlock consisting of a circuit breaker enabling the plug to be connected and disconnected only in the open position, and the switch to close only with the plug inserted. Wide range including models with rotary switch and fuseholder base, AUTOMATIKA with 6kA C characteristic miniature circuit breaker, and version with safety transformer. High application versatility thanks to the possibility of assembly in back-mounting and flush-mounting boxes, and boards of the 68 Q-DIN and Q-MC ranges.

Colour	Blue	Rated current (A)	16
IP degree	IP67	No. of poles	2P+E
Shock resistance	IK08	Reference h	6
Type of fuse	Ø 10.3x38 mm	Type	Vertical
Rated voltage	200 - 250 V	Frequency	50/60 Hz
Protection	Fuse-holder base (CBF)	With back-mounting box	Yes
Operating temperature	-25 ÷ +40 °C	Electrocod	2222
Glow wire test	850 °C (IB socket) - 650 °C (bottom)	Rated impulse withstand voltage	4
Thermo-pressure with ball	-		

#### BEHAVIOUR WITH CHEMICAL AND ATMOSPHERIC AGENTS

Saline solution	Acids		Bases		Solvents				Mineral oil	UV rays
	Concentrated	Diluted	Concentrated	Diluted	Hexane	Benzol	Acetone	Alcohol		
Resistant	Not resistant	Limited resistance	Limited resistance	Limited resistance	Limited resistance	Not resistant	Not resistant	Limited resistance	Limited resistance	Resistant

#### DIMENSIONAL



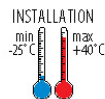
#### TECHNICAL SYMBOLOGY



IP67



IK08



INSTALLATION

min -25 °C max +40 °C



850 °C (IB socket) -  
650 °C (bottom)

#### STANDARDS/APPROVALS

