



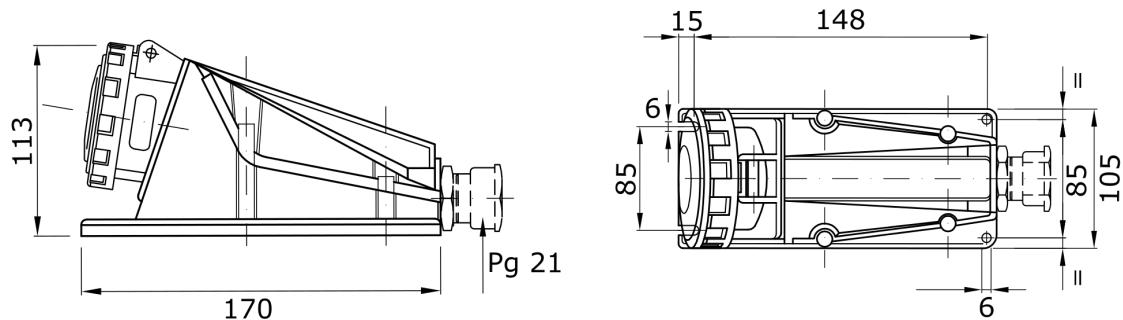
A range of trailing and fixed plugs and socket-outlets for industrial use, complying with the dimensional and performance standards unified at International level (IEC 60309) and assimilated by the European Standards (EN 60309) and Italian Standards (CEI 23-12). Socket-outlets and plugs with a rated current of 63 and 125A are equipped with an extra pilot contact (CP) for creating an electric interlock. The range is completed with 90° fixed plugs and 10° and 90° fixed socket-outlets. Sleeves and pins are obtained from solid brass bar, type Pt. CuZn40Pb2 (Cu 58%, Zn 40%, Pb 2%); anti-loosening terminals with unlosable screws, and built-in cable clamp with anti-abrasion cable gland.

Colour	Red	Rated current (A)	32
IP degree	IP67	No. of poles	3P+E
Shock resistance	IK08	Reference h	3
Rated voltage	380.0 - 440.0 V	Type	90° angled surface-mounting socket-outlet
Frequency	50/60 Hz	Terminal tightening capacity	2.5-6mm ² flexible cables - 2.5-10mm ² rigid cables
Operating temperature	-25 ÷ +40°C	Type of wiring	With screw
Electrocod	2211	Glow wire test	850 °C (active parts) - 650 °C (passive parts)
Total number of operations	> 2000	Permissible overload	42 A
Breaking capacity at 1.1 Un	40 A	Insulation resistance	> 10 M
Thermo-pressure with ball	125 °C (active parts) - 80 °C (passive parts)		

COMPORTAMENTO AGLI AGENTI CHIMICI ED ATMOSFERICI

Soluzione salina	Acidi		Basi		Solventi				Olio minerale	Raggi UV
	Concentrati	Diluiti	Concentrate	Diluite	Esano	Benzolo	Acetone	Alcool		
Resistente	Non resistente	Resistenza limitata	Resistenza limitata	Resistente	Resistente	Resistente	Resistente	Resistente	Resistente	Resistente

DIMENSIONAL



TECHNICAL SYMBOLOGY



IP67



IK08



850 °C (active parts)
- 650 °C (passive parts)

STANDARDS/APPROVALS

