



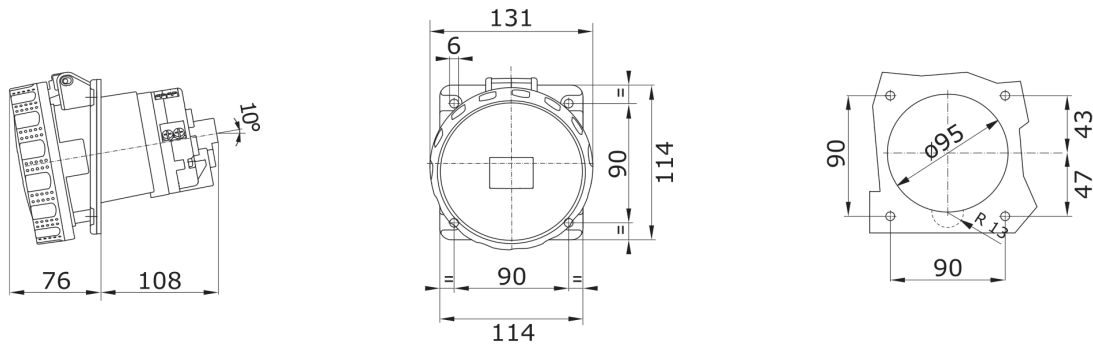
IEC 309 HP: range of plugs and socket-outlets complying with the safety requisites defined by the international Standards IEC 60309-1 and IEC 60309-2 and assimilated at European level as EN 60309-1 and EN 60309-2. This range expands GEWISS's assortment from 16A to 125A straight plugs, straight connectors and 10° flush-mounting socket-outlets with IP44/IP54 and IP66/IP67/IP68/IP69 degrees of protection to ensure full protection for all applications. The technopolymers and thickness used for the parts made of insulating material guarantee an elevated degree of mechanical and chemical agent resistance. All the sleeves and pins of the IEC 309 HP socket-outlets and plugs are surface-treated with nickel-plating to ensure full protection against corrosion, oxidation and abrasion. All the external metallic elements of the IEC 309 HP plugs and socket-outlets are made of stainless steel (the threaded metallic inserts for the body-grip coupling of the 63-125A versions are made of brass).

| | | | |
|-----------------------------|--|------------------------------|--|
| Colour | Red | Rated current (A) | 125 |
| IP degree | IP66/IP67 | Characteristics | Pilot contact |
| No. of poles | 3P+E | Shock resistance | IK09 |
| Reference h | 6 | Flange dimensions (mm) | 114x114 |
| Type | 10° angled flush-mounting socket-outlet | Rated voltage | 380 - 415 V |
| Frequency | 50/60 Hz | Terminal tightening capacity | 16-50mm ² flexible cables - 25-70mm ² rigid cables |
| Operating temperature | -25 +55 °C | Type of wiring | Mantle terminal |
| Type of material | Halogen-free in compliance with EN 60754-2 | Electrocod | 2211 |
| Glow wire test | 850 °C (active parts) - 650 °C (passive parts) | Total number of operations | > 500 |
| Breaking capacity at 1.1 Un | 156 A | Insulation resistance | > 10 M |
| Thermo-pressure with ball | 125 °C (active parts) - 80 °C (passive parts) | | |

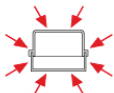
BEHAVIOUR WITH CHEMICAL AND ATMOSPHERIC AGENTS

| Saline solution | Acids | | Bases | | Solvents | | | | Mineral oil | UV rays |
|-----------------|---------------|--------------------|--------------------|-----------|-----------|-----------|-----------|------------|-------------|-----------|
| | Concentrated | Diluted | Concentrated | Diluted | Hexane | Benzol | Acetone | Alcohol | | |
| Resistant | Not resistant | Limited resistance | Limited resistance | Resistant | Resistant | Resistant | Resistant | Resistente | Resistant | Resistant |

DIMENSIONAL



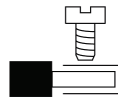
TECHNICAL SYMBOLOGY



IP66/IP67



IK09



EN 60754-2



850 °C (active parts) - 125 °C (active parts) -
650 °C (passive parts) - 80 °C (passive parts)



EN 60695-10-2

STANDARDS/APPROVALS



GEWISS S.p.A. Via A. Volta, 1
24069 Cenate Sotto - Bergamo - Italy
tel. +39 035 94 61 11 fax +39 035 94 69 09

www.gewiss.com
sat@gewiss.com
Last update 18/05/2018

Data, measures, designs and pictures are shown only as
informative purposes,
and could be changed without previous notice