

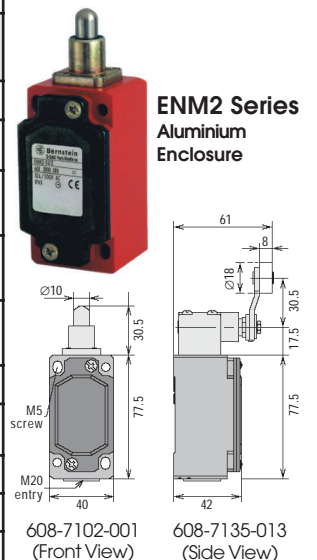
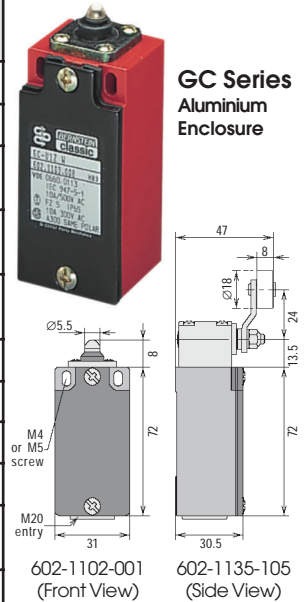


Metal Bodied Limit Switches

Complete Switch Supplied as One Piece

Actuator Head	DESCRIPTION	Contact Block	Sealing Sleeve	PART NUMBER	Replaces	TRADE PRICE
GC Series - 500V 10A (max)						
Terminals Numbered in Accordance with DIN EN 50013 - IP65						
	TOP PUSH - STND PLUNGER TYPE Metal Plunger Ø5.5mm	U1 Z	Inner	602-1102-001	-	
		U1 Z	Outer	602-1103-008	-	
	TOP PUSH - ADJ PLUNGER TYPE Metal Plunger Ø5mm	U1 Z	Inner	602-1105-015	-	
	TOP PUSH - BALL-PLUNGER TYPE Metal Ball Ø12mm	SU1 Z	Inner	602-1160-052	-	
	TOP PUSH - ROLLER PLUNGER TYPE Metal Roller Ø14x3.3mm	U1 Z	Inner	602-1117-029	-	
	TOP PUSH - ROLLER LEVER TYPE Nylon Roller Ø13x7.3mm	U1 Z	Outer	602-1121-067	-	
		SU1 Z	Inner	602-1370-629	-	
	TOP PUSH - ROLLER LEVER TYPE Long Lever, Roller Ø13x7.3mm	U1 Z	Inner	602-1123-085	-	
		SU1 Z	Outer	602-1374-632	602-1174-094	
	TOP PUSH - ROLLER LEVER TYPE Angled Lever, Roller Ø13x7.3mm	SU1	Inner	602-1176-073	-	
	SIDE ROTARY - TURRET HEAD with Fixed Arm 24mm, Roller Ø18x8mm	U1 Z	Inner	602-1135-102	-	
	SIDE ROTARY - TURRET HEAD with Adj Arm 27-81.5mm, Roller Ø25x8mm	U1	Inner	602-1136-104	-	
	SIDE ROTARY - TURRET HEAD with Adj Rod Ø6x200mm Long	U1	Inner	602-1137-103	-	
	SIDE ROTARY - TURRET HEAD with Wobble Stick 144mm Long	U1	Inner	602-1139-106	-	
	TOP ACTUATE - WOBBLE STICK Spring Rod & Nylon Tip, 133mm Long	U1	Outer	602-1140-476	-	
ENM2 Series - 400V 10A (max)						
Standard Switch According to DIN EN 50041 - IP65						
	TOP PUSH - STND PLUNGER TYPE Metal Plunger Ø10mm	U1 Z	Inner	608-7102-001	608-2102-001	
		SU1 Z	Inner	608-7352-002	608-2152-003 608-2352-004	
	TOP PUSH - ROLLER PLUNGER TYPE Metal Roller Ø18x4mm	SU1 Z	Inner	608-7367-005	608-2167-007 608-2367-008	
	TOP PUSH - ROLLER LEVER TYPE Adj Lever Left, Roller Ø20x8mm	SU1 Z	Outer	608-7371-008	608-2151-212	
	TOP PUSH - ROLLER LEVER TYPE Adj Lever Right, Roller Ø20x8mm	SU1 Z	Outer	608-7377-011	608-2177-214	
	SIDE ROTARY - TURRET HEAD with Fixed Arm 30.5mm, Roller Ø18x8mm	U1 Z	Inner	608-7135-013	608-2135-009	
		SU1 Z	Inner	608-7385-014	608-2185-011 608-2385-012	
	SIDE ROTARY - TURRET HEAD with Adj Arm 27-81.5mm, Roller Ø25x8mm	U1	Inner	608-7136-016	608-2136-025	
		SU1	Inner	608-7386-017	608-2186-027	
	SIDE ROTARY - TURRET HEAD with Adj Rod Ø6x200mm Long	U1	Inner	608-7137-018	608-2137-021	
		SU1 Z	Inner	608-7387-019	608-2187-023	



Notes: - Contacts: SU1: 1NC/1NO - Snap action changeover
 U1: 1NC/1NO - Slow action changeover (break before make)
 Z: Positive Disconnect of NC contact
 - Other actuators, contact blocks and EEx versions available on request.
 - Other series switches available on request are the D and SN2:

