



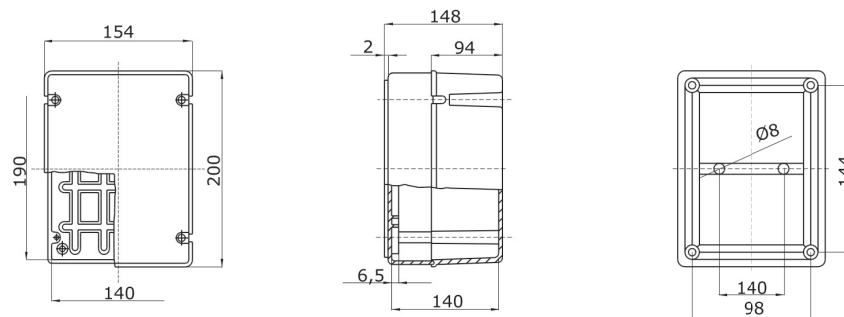
Range 44 CE - Surface-mounting watertight junction boxes in compliance with EN 60670-1 (CEI 23-48) and IEC 60670-22 (CEI 23-94) and made in high-performance technopolymers. The range includes versions with protection degree IP44, IP55, IP56 with smooth walls or with quick entry cable glands and different type of covers: blind / transparent, deep/plain, press-on/screw (in plastic, also 1/4 turn, or in metal). Available in different self-extinguishing materials (up to GWT 960 °C). Suitable for ordinary junctions, for special uses, and for industrial uses.

|                           |  |                                      |                           |
|---------------------------|--|--------------------------------------|---------------------------|
| Insulation class          | II (according to IEC 61140 standards)      | Colour                               | Grey RAL 7035             |
| IP degree                 | IP56                                       | Material                             | Technopolymer GWPLAST 120 |
| Shock resistance          | IK08                                       | Internal dim. LxHxD (mm)             | 190x140x140               |
| Max Ø holes possible      | 37 mm                                      | Lid screws (no. and type)            | 4 insul. sealable hinged  |
| Application               | Industrial uses                            | Glow Wire Test                       | 650 °C                    |
| Lid                       | Deep screwed                               | Operating temperature                | -25 +60 °C                |
| Type of material          | Halogen-free in compliance with EN 60754-2 | Electrocod                           | 02211                     |
| Thermo-pressure with ball | 110 °C                                     | Torque screws tightening             | 1,8                       |
| Walls                     | Smooth                                     | Accessories for insulation restoring | GW44621, GW44622          |

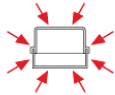
#### BEHAVIOUR WITH CHEMICAL AND ATMOSPHERIC AGENTS

| Saline solution | Acids         |                    | Bases         |                    | Solvents           |               |               |                    | Mineral oil        | UV rays            |
|-----------------|---------------|--------------------|---------------|--------------------|--------------------|---------------|---------------|--------------------|--------------------|--------------------|
|                 | Concentrated  | Diluted            | Concentrated  | Diluted            | Hexane             | Benzol        | Acetone       | Alcohol            |                    |                    |
| Resistant       | Not resistant | Limited resistance | Not resistant | Limited resistance | Limited resistance | Not resistant | Not resistant | Limited resistance | Limited resistance | Limited resistance |

#### DIMENSIONAL



#### TECHNICAL SYMBOLOGY



#### STANDARDS/APPROVALS

