



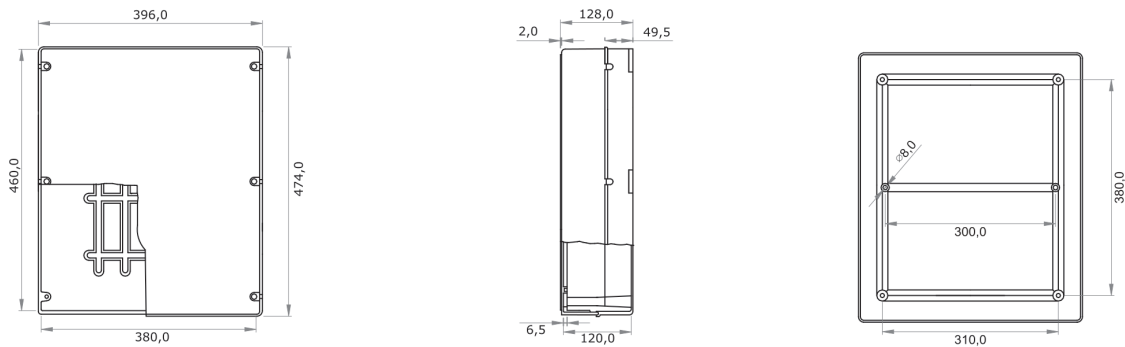
Range 44 CE - Surface-mounting watertight junction boxes in compliance with EN 60670-1 (CEI 23-48) and IEC 60670-22 (CEI 23-94) and made in high-performance technopolymers. The range includes versions with protection degree IP44, IP55, IP56 with smooth walls or with quick entry cable glands and different type of covers: blind / transparent, deep/plain, press-on/screw (in plastic, also 1/4 turn, or in metal). Available in different self-extinguishing materials (up to GWT 960 °C). Suitable for ordinary junctions, for special uses, and for industrial uses.

| | | | |
|----------------------------------|--|---|--------------------------|
| Insulation class | II (according to IEC 61140 standards) | Colour | Grey RAL 7035 |
| IP degree | IP56 | Material | Technopolymer GWPLAST 75 |
| Shock resistance | IK08 | Internal dim. LxHxD (mm) | 460x380x120 |
| Max Ø holes possible | 48 mm | Lid screws (no. and type) | 6 insul. sealable hinged |
| Application | Ordinary junctions | Glow Wire Test | 650 °C |
| Lid | Plain screwed | Operating temperature | -25 +60 °C |
| Type of material | Halogen-free in compliance with EN 60754-2 | Electrocod | 02211 |
| Thermo-pressure with ball | 85 °C | Torque screws tightening | 1,8 |
| Walls | Smooth | Accessories for insulation restoring | GW44621 |

BEHAVIOUR WITH CHEMICAL AND ATMOSPHERIC AGENTS

| Saline solution | Acids | | Bases | | Solvents | | | | Mineral oil | UV rays |
|-----------------|--------------------|-----------|--------------|-----------|--------------------|---------------|---------------|--------------------|--------------------|--------------------|
| | Concentrated | Diluted | Concentrated | Diluted | Hexane | Benzol | Acetone | Alcohol | | |
| Resistant | Limited resistance | Resistant | Resistant | Resistant | Limited resistance | Not resistant | Not resistant | Limited resistance | Limited resistance | Limited resistance |

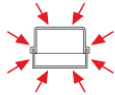
DIMENSIONAL



TECHNICAL SYMBOLOGY



IEC 61140



IP56



IK08



650 °C



INSTALLATION
min -25 °C
max +60 °C



EN 60754-2



EN 60695-10-2
85 °C

STANDARDS/APPROVALS



GEWISS S.p.A. Via A. Volta, 1
24069 Cenate Sotto - Bergamo - Italy
tel. +39 035 94 61 11 fax +39 035 94 69 09

www.gewiss.com
sat@gewiss.com
Last update 19/04/2018

Data, measures, designs and pictures are shown only as
informativ purposes,
and could be changed without previous notice