

Part number

CHI 16 CS



Bulkhead mounting housing, C-TYPE series, with 4 pegs, size "77.27", with metal cover

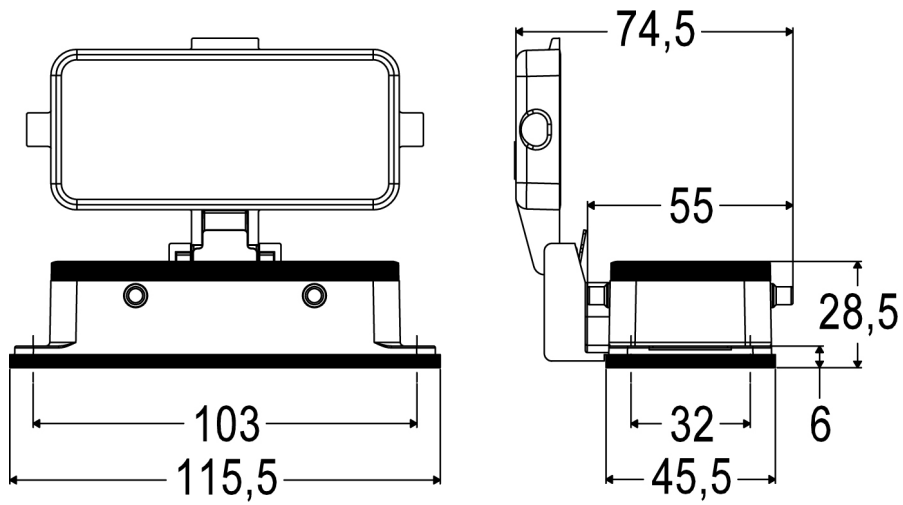
Product description		Material properties	
Product type	Bulkhead mounting housing	Other materials	Gasket: NBR
Series	C-TYPE	Colour	RAL 7040 grey
Closing type	With 4 pegs	RoHs conformity	Compliant
Size	Size 77.27	China RoHs - EFUP	E
Cable entry	Without cable entry	REACH SVHC substances	No
Specification	With metal cover	Approvals / Standards	
Technical data		Certifications	CQC, DNV, BV
IP degree of protection	IP65	UL	ECBT2
Further technical details		cUL	ECBT8
Weight	146,60 g	General ordering information	
Operating temperature range (min, max)	-40°C...+125°C	EAN13 code	8015747017800
		eCl@ss 8.1	27440202
		ETIM 7.0	EC000437
		Packaging Information	
		Packaging length	340,00 mm
		Packaging height	135,00 mm
		Packaging width	200,00 mm
		Packaging weight	3,23 kg
		Packaging volume	9,18 dm ³
		Packaging description	Carton box
		Packaging quantity	20 Pcs
		Packaging EAN code	8015747017817
		Sub-packaging weight	0,81 kg
		Sub-packaging description	Carton box
		Sub-packaging quantity	5 Pcs
		Sub-packaging EAN barcode	8015747017824

Part number

CHI 16 CS



Catalogue drawings



Notes

Dimensions shown in mm are not binding and may be changed without notice.
