

Part number

CHC 16 LG



Cover, C-TYPE series, with 1 lever, size "77.27", with loop

Product description

Product type	Cover
Series	C-TYPE
Closing type	With 1 lever
Size	Size 77.27
Specification	With loop

Technical data

IP degree of protection	IP65
--------------------------------	------

Further technical details

Weight	128,50 g
Operating temperature range (min, max)	-40°C...+125°C

Material properties

Other materials	Lever: Stainless steel, polyamide (PA) Gasket: NBR
Colour	RAL 7040 grey
RoHs conformity	Compliant
China RoHs - EFUP	E
REACH SVHC substances	No

Approvals / Standards

Certifications	CQC, DNV, BV
UL	ECBT2
cUL	ECBT8

General ordering information

EAN13 code	8015747016247
eCl@ss 8.1	27440208
ETIM 7.0	EC002314

Packaging Information

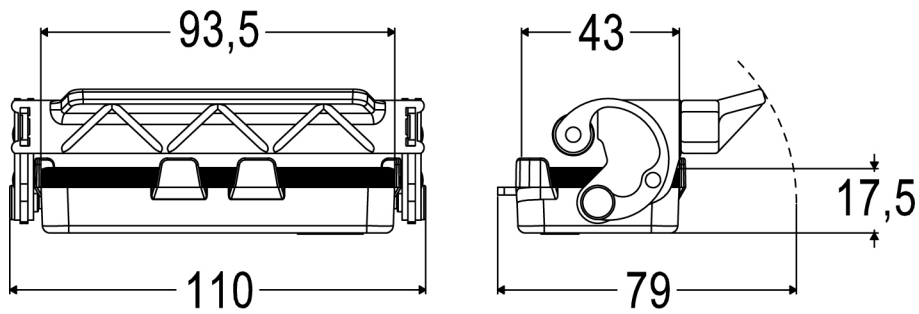
Packaging length	180,00 mm
Packaging height	210,00 mm
Packaging width	330,00 mm
Packaging weight	2,60 kg
Packaging volume	12,47 dm ³
Packaging description	Carton box
Packaging quantity	20 Pcs
Packaging EAN code	8015747194945
Sub-packaging weight	0,13 kg
Sub-packaging description	Plastic bag
Sub-packaging quantity	1 Pcs
Sub-packaging EAN barcode	8015747194952

Part number

CHC 16 LG



Catalogue drawings



Notes

Dimensions shown in mm are not binding and may be changed without notice.
