

Part number  
**CHC 16**



Cover, C-TYPE series, with 4 pegs, size "77.27", with eyelet

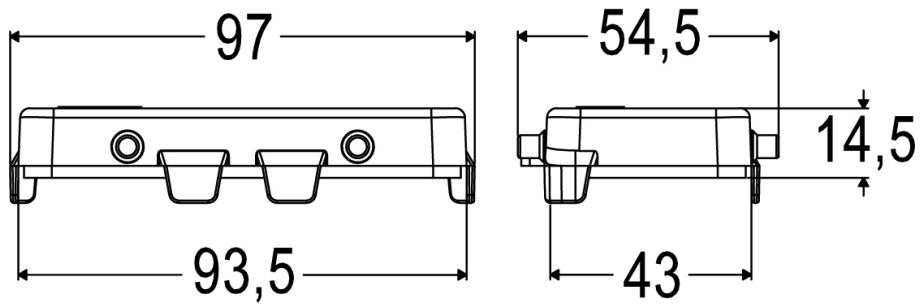
<b>Product description</b>		<b>Material properties</b>	
<b>Product type</b>	Cover	<b>Main material</b>	Aluminium die-cast
<b>Series</b>	C-TYPE	<b>Colour</b>	RAL 7040 grey
<b>Closing type</b>	With 4 pegs	<b>RoHs conformity</b>	Compliant
<b>Size</b>	Size 77.27	<b>China RoHs - EFUP</b>	E
<b>Specification</b>	With eyelet	<b>REACH SVHC substances</b>	No
<b>Technical data</b>		<b>Approvals / Standards</b>	
<b>IP degree of protection</b>	IP66	<b>Certifications</b>	CQC, DNV, BV
<b>Further technical details</b>		<b>UL</b>	ECBT2
<b>Weight</b>	61,00 g	<b>cUL</b>	ECBT8
<b>Operating temperature range (min, max)</b>	-40°C...+125°C	<b>General ordering information</b>	
		<b>EAN13 code</b>	8015747016063
		<b>eCl@ss 8.1</b>	27440208
		<b>ETIM 7.0</b>	EC002314
		<b>Packaging Information</b>	
		<b>Packaging length</b>	220,00 mm
		<b>Packaging height</b>	130,00 mm
		<b>Packaging width</b>	240,00 mm
		<b>Packaging weight</b>	1,50 kg
		<b>Packaging volume</b>	6,86 dm <sup>3</sup>
		<b>Packaging description</b>	Carton box
		<b>Packaging quantity</b>	20 Pcs
		<b>Packaging EAN code</b>	8015747191005
		<b>Sub-packaging weight</b>	0,08 kg
		<b>Sub-packaging description</b>	Plastic bag
		<b>Sub-packaging quantity</b>	1 Pcs
		<b>Sub-packaging EAN barcode</b>	8015747191012

Part number

# CHC 16



Catalogue drawings



## Notes

Dimensions shown in mm are not binding and may be changed without notice.

---