

Part number

MHP 10 LS20



Surface mounting housing, C-TYPE series, with 1 lever, M20 cable entry, size "57.27", with metal cover

Product description

Product type	Surface mounting housing
Series	C-TYPE
Closing type	With 1 lever
Size	Size 57.27
Cable entry	With cable entry M20
Specification	With metal cover

Technical data

IP degree of protection IP65

Further technical details

Weight	297,00 g
Operating temperature range (min, max)	-40°C...+125°C

Material properties

Other materials	Lever: Stainless steel, polyamide (PA) Gasket: NBR
Colour	RAL 7040 grey
RoHs conformity	Compliant
China RoHs - EFUP	E
REACH SVHC substances	No

Approvals / Standards

Certifications	CQC, DNV, BV
UL	ECBT2
cUL	ECBT8

General ordering information

EAN13 code	8015747054270
eCl@ss 8.1	27440202
ETIM 7.0	EC000437

Packaging Information

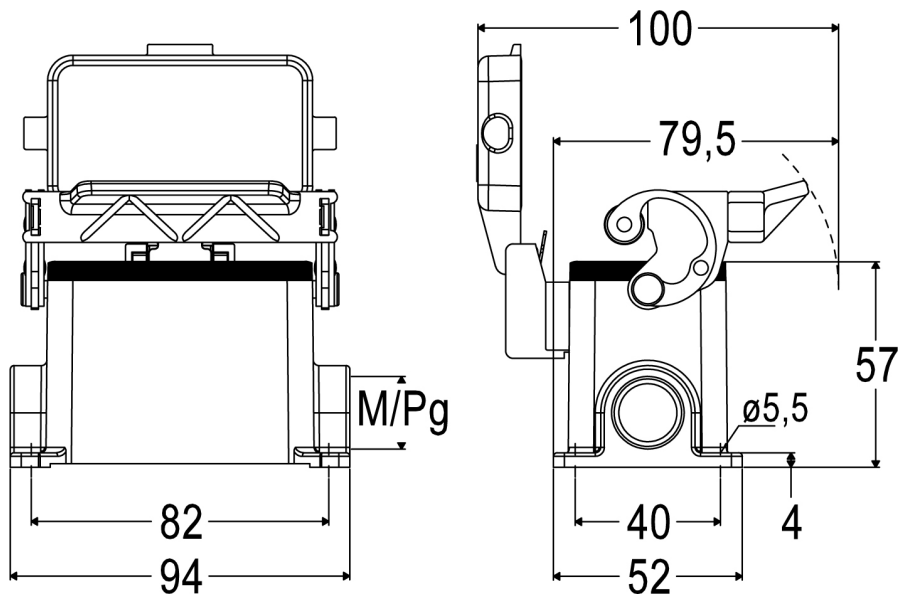
Packaging length	475,00 mm
Packaging height	170,00 mm
Packaging width	150,00 mm
Packaging weight	3,35 kg
Packaging volume	12,11 dm ³
Packaging description	Carton box
Packaging quantity	10 Pcs
Packaging EAN code	8015747054287
Sub-packaging weight	1,68 kg
Sub-packaging description	Plastic packaging
Sub-packaging quantity	5 Pcs
Sub-packaging EAN barcode	8015747054294

Part number

MHP 10 LS20



Catalogue drawings



Notes

Dimensions shown in mm are not binding and may be changed without notice.