

Part number

CKAX 03 IA



Angled Bulkhead mounting housing, CKAX series, with 1 lever without cable entry, size "21.21"

Product description

Product type	Angled bulkhead mounting housing
Series	CKA
Closing type	With 1 lever
Size	Size 21.21
Cable entry	Without cable entry

Technical data

IP degree of protection	IP44 - IP66 / IP67 / IP69 with CKR 65
--------------------------------	---------------------------------------

Further technical details

Weight	48,00 g
Operating temperature range (min, max)	-40°C...+125°C

Material properties

Main material	Zinc die-cast
Other materials	Lever: Stainless steel Gasket: TPE
Colour	RAL 7040 grey
RoHs conformity	Compliant
China RoHs - EFUP	E
REACH SVHC substances	No

Approvals / Standards

UL	ECBT2
cUL	ECBT8

General ordering information

EAN13 code	8015747027533
eCl@ss 8.1	27440202
ETIM 7.0	EC000437

Packaging Information

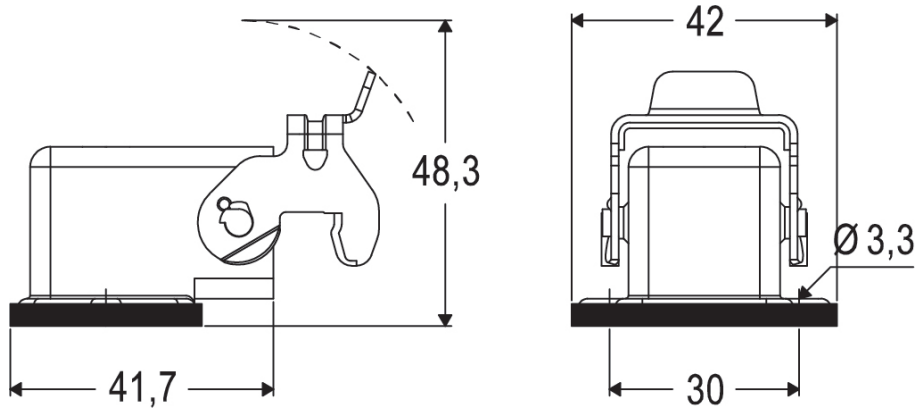
Packaging length	330,00 mm
Packaging height	230,00 mm
Packaging width	205,00 mm
Packaging weight	5,56 kg
Packaging volume	15,56 dm ³
Packaging description	Carton box
Packaging quantity	100 Pcs
Packaging EAN code	8015747233996
Sub-packaging length	185,00 mm
Sub-packaging height	40,00 mm
Sub-packaging width	155,00 mm
Sub-packaging weight	0,56 kg
Sub-packaging volume	1,15 dm ³
Sub-packaging description	Carton box
Sub-packaging quantity	10 Pcs
Sub-packaging EAN barcode	8015747027540

Part number

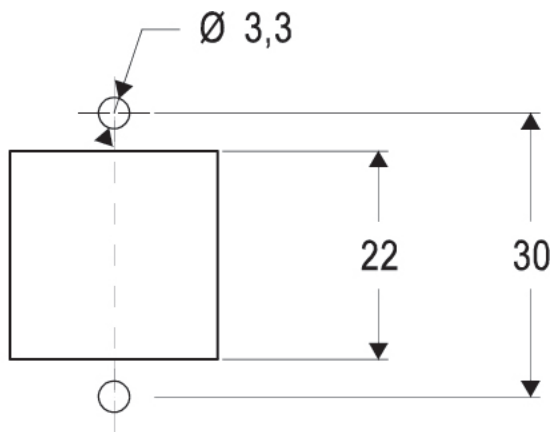
CKAX 03 IA



Catalogue drawings



Catalogue drawings



Notes

Dimensions shown in mm are not binding and may be changed without notice.