

Part number

CKAX 03 I



Bulkhead mounting housing, CKA series, with 1 lever, size "21.21"

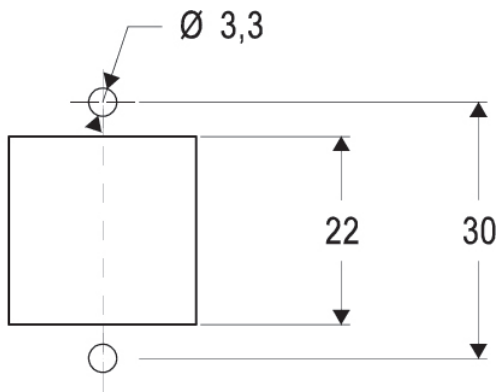
| Product description | | Material properties | |
|---|---------------------------------------|----------------------------------|---------------------------------------|
| Product type | Bulkhead mounting housing | Main material | Zinc die-cast |
| Series | CKA | Other materials | Lever: Stainless steel Gasket: TPE |
| Closing type | With 1 lever | Colour | RAL 7040 grey |
| Size | Size 21.21 | RoHs conformity | Compliant |
| Cable entry | Without cable entry | China RoHs - EFUP | E |
| Technical data | | REACH SVHC substances | No |
| IP degree of protection | IP44 - IP66 / IP67 / IP69 with CKR 65 | Approvals / Standards | |
| Further technical details | | UL | ECBT2 |
| Weight | 33,00 g | cUL | ECBT8 |
| Operating temperature range (min, max) | -40°C...+125°C | General ordering information | |
| | | EAN13 code | 8015747027519 |
| | | eCl@ss 8.1 | 27440202 |
| | | ETIM 7.0 | EC000437 |
| | | Packaging Information | |
| | | Packaging length | 330,00 mm |
| | | Packaging height | 230,00 mm |
| | | Packaging width | 205,00 mm |
| | | Packaging weight | 4,11 kg |
| | | Packaging volume | 15,56 dm ³ |
| | | Packaging description | Carton box |
| | | Packaging quantity | 100 Pcs |
| | | Packaging EAN code | 8015747230834 |
| | | Sub-packaging length | 185,00 mm |
| | | Sub-packaging height | 40,00 mm |
| | | Sub-packaging width | 155,00 mm |
| | | Sub-packaging weight | 0,41 kg |
| | | Sub-packaging volume | 1,15 dm ³ |
| | | Sub-packaging description | Carton box |
| | | Sub-packaging quantity | 10 Pcs |
| | | Sub-packaging EAN barcode | 8015747027526 |

Part number

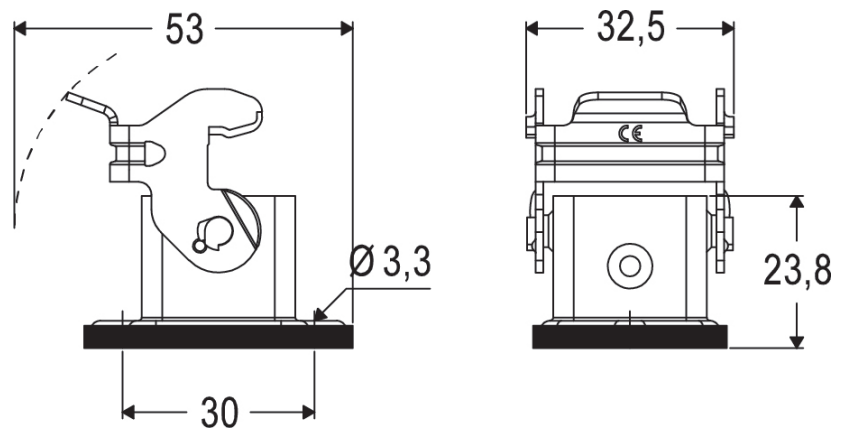
CKAX 03 I



Catalogue drawings



Catalogue drawings



Notes

Dimensions shown in mm are not binding and may be changed without notice.