

Part number

CK 03 IA



Angled Bulkhead mounting housing, CK series, with 1 lever without cable entry, size "21.21", white colour

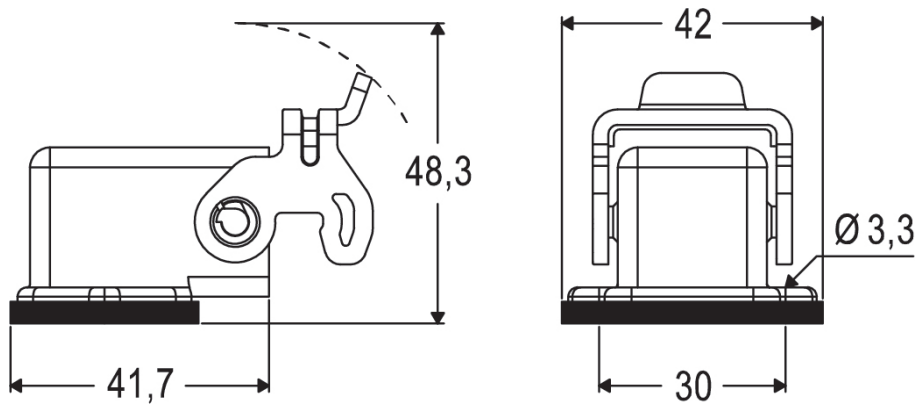
Product description		Material properties	
Product type	Angled bulkhead mounting housing	Other materials	Lever: Polyamide (PA) Gasket: TPE
Series	CK	Colour	RAL 7035 grey
Closing type	With 1 lever	RoHs conformity	Compliant
Size	Size 21.21	China RoHS - EFUP	E
Cable entry	Without cable entry	REACH SVHC substances	No
Specification	White colour		
Technical data		Approvals / Standards	
IP degree of protection	IP44 - IP66 / IP67 / IP69 with CKR 65	UL	ECBT2
		cUL	ECBT8
Further technical details		General ordering information	
Weight	12,85 g	EAN13 code	8015747026277
Operating temperature range (min, max)	-40°C...+125°C	eCl@ss 8.1	27440202
		ETIM 7.0	EC000437
		Packaging Information	
		Packaging length	360,00 mm
		Packaging height	165,00 mm
		Packaging width	315,00 mm
		Packaging weight	1,70 kg
		Packaging volume	18,71 dm ³
		Packaging description	Carton box
		Packaging quantity	100 Pcs
		Packaging EAN code	8015747026284
		Sub-packaging weight	0,17 kg
		Sub-packaging description	Plastic bag
		Sub-packaging quantity	10 Pcs
		Sub-packaging EAN barcode	8015747026291

Part number

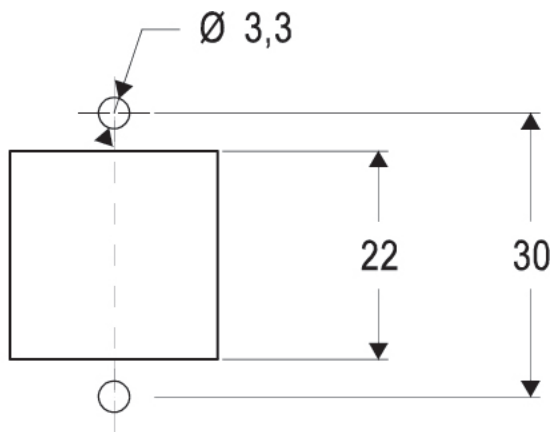
CK 03 IA



Catalogue drawings



Catalogue drawings



Notes

Dimensions shown in mm are not binding and may be changed without notice.