

Part number

# CHI 10 LS



Bulkhead mounting housing, C-TYPE series, with 1 lever, size "57.27", with metal cover

## Product description

<b>Product type</b>	Bulkhead mounting housing
<b>Series</b>	C-TYPE
<b>Closing type</b>	With 1 lever
<b>Size</b>	Size 57.27
<b>Cable entry</b>	Without cable entry
<b>Specification</b>	With metal cover

## Technical data

**IP degree of protection** IP65

## Further technical details

<b>Weight</b>	172,00 g
<b>Operating temperature range (min, max)</b>	-40°C...+125°C

## Material properties

<b>Other materials</b>	Lever: Stainless steel, polyamide (PA) Gasket: NBR
<b>Colour</b>	RAL 7040 grey
<b>RoHs conformity</b>	Compliant
<b>China RoHs - EFUP</b>	E
<b>REACH SVHC substances</b>	No

## Approvals / Standards

<b>Certifications</b>	CQC, DNV, BV
<b>UL</b>	ECBT2
<b>cUL</b>	ECBT8

## General ordering information

<b>EAN13 code</b>	8015747017541
<b>eCl@ss 8.1</b>	27440202
<b>ETIM 7.0</b>	EC000437

## Packaging Information

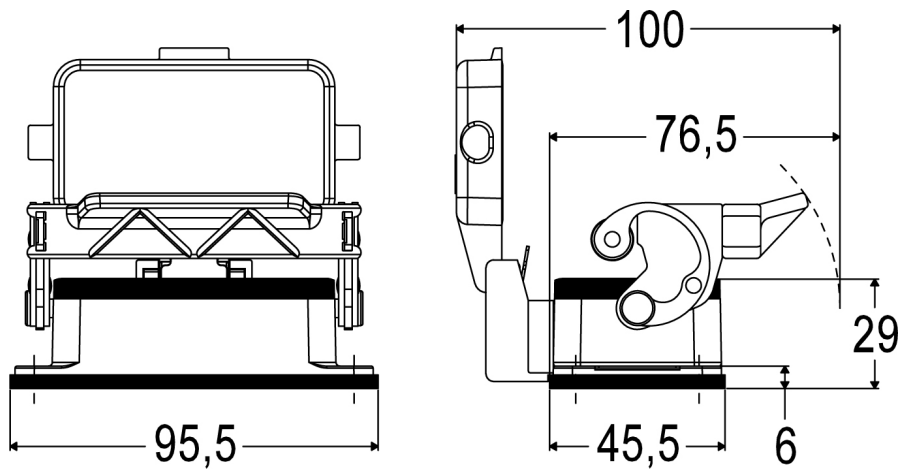
<b>Packaging length</b>	315,00 mm
<b>Packaging height</b>	230,00 mm
<b>Packaging width</b>	210,00 mm
<b>Packaging weight</b>	3,90 kg
<b>Packaging volume</b>	15,21 dm <sup>3</sup>
<b>Packaging description</b>	Carton box
<b>Packaging quantity</b>	20 Pcs
<b>Packaging EAN code</b>	8015747017558
<b>Sub-packaging weight</b>	0,98 kg
<b>Sub-packaging description</b>	Plastic packaging
<b>Sub-packaging quantity</b>	5 Pcs
<b>Sub-packaging EAN barcode</b>	8015747017565

Part number

# CHI 10 LS



Catalogue drawings



## Notes

Dimensions shown in mm are not binding and may be changed without notice.

---