

Part number

CHI 10 CS



Bulkhead mounting housing, C-TYPE series, with 4 pegs, size "57.27", with metal cover

Product description

Product type	Bulkhead mounting housing
Series	C-TYPE
Closing type	With 4 pegs
Size	Size 57.27
Cable entry	Without cable entry
Specification	With metal cover

Technical data

IP degree of protection IP65

Further technical details

Weight	129,60 g
Operating temperature range (min, max)	-40°C...+125°C

Material properties

Other materials	Gasket: NBR
Colour	RAL 7040 grey
RoHs conformity	Compliant
China RoHs - EFUP	E
REACH SVHC substances	No

Approvals / Standards

Certifications	CQC, DNV, BV
UL	ECBT2
cUL	ECBT8

General ordering information

EAN13 code	8015747017480
eCl@ss 8.1	27440202
ETIM 7.0	EC000437

Packaging Information

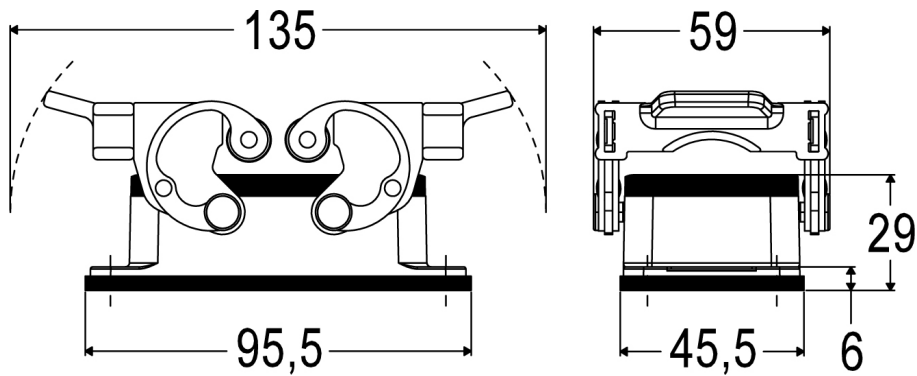
Packaging length	350,00 mm
Packaging height	160,00 mm
Packaging width	165,00 mm
Packaging weight	2,85 kg
Packaging volume	9,24 dm ³
Packaging description	Carton box
Packaging quantity	20 Pcs
Packaging EAN code	8015747017497
Sub-packaging weight	0,71 kg
Sub-packaging description	Carton box
Sub-packaging quantity	5 Pcs
Sub-packaging EAN barcode	8015747017503

Part number

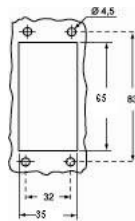
CHI 10 CS



Catalogue drawings



Catalogue drawings



Notes

Dimensions shown in mm are not binding and may be changed without notice.