

Part number

# CHC 10 G



Cover, C-TYPE series, with 2 levers, size "57.27", with loop

#### Product description

<b>Product type</b>	Cover
<b>Series</b>	C-TYPE
<b>Closing type</b>	With 2 levers
<b>Size</b>	Size 57.27
<b>Specification</b>	With loop

#### Technical data

<b>IP degree of protection</b>	IP66
--------------------------------	------

#### Further technical details

<b>Weight</b>	144,00 g
<b>Operating temperature range (min, max)</b>	-40°C...+125°C

#### Material properties

<b>Other materials</b>	Lever: Stainless steel, polyamide (PA) Gasket: NBR
<b>Colour</b>	RAL 7040 grey
<b>RoHs conformity</b>	Compliant
<b>China RoHs - EFUP</b>	E
<b>REACH SVHC substances</b>	No

#### Approvals / Standards

<b>Certifications</b>	CQC, DNV, BV
<b>UL</b>	ECBT2
<b>cUL</b>	ECBT8

#### General ordering information

<b>EAN13 code</b>	8015747015943
<b>eCl@ss 8.1</b>	27440208
<b>ETIM 7.0</b>	EC002314

#### Packaging Information

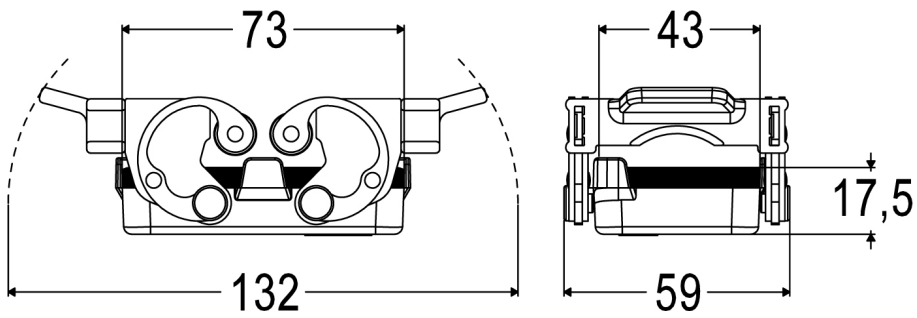
<b>Packaging length</b>	220,00 mm
<b>Packaging height</b>	130,00 mm
<b>Packaging width</b>	240,00 mm
<b>Packaging weight</b>	3,13 kg
<b>Packaging volume</b>	6,86 dm <sup>3</sup>
<b>Packaging description</b>	Carton box
<b>Packaging quantity</b>	20 Pcs
<b>Packaging EAN code</b>	8015747196345
<b>Sub-packaging weight</b>	0,16 kg
<b>Sub-packaging description</b>	Plastic bag
<b>Sub-packaging quantity</b>	1 Pcs
<b>Sub-packaging EAN barcode</b>	8015747196352

Part number

# CHC 10 G



Catalogue drawings



## Notes

Dimensions shown in mm are not binding and may be changed without notice.

---