

Part number
CHC 10



Cover, C-TYPE series, with 4 pegs, size "57.27", with eyelet

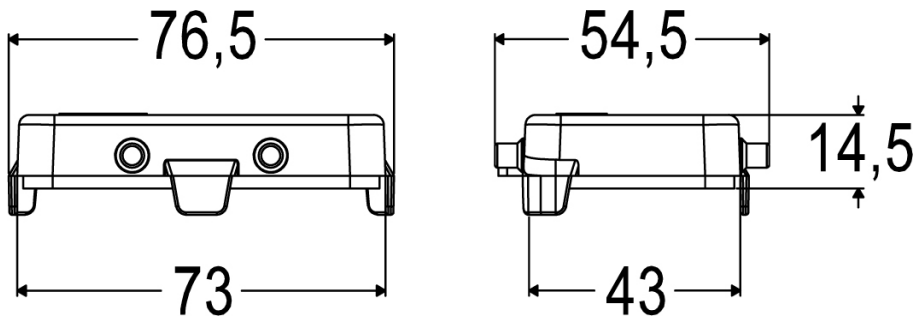
Product description		Material properties	
Product type	Cover	Main material	Aluminium die-cast
Series	C-TYPE	Colour	RAL 7040 grey
Closing type	With 4 pegs	RoHs conformity	Compliant
Size	Size 57.27	China RoHs - EFUP	E
Specification	With eyelet	REACH SVHC substances	No
Technical data		Approvals / Standards	
IP degree of protection	IP66	Certifications	CQC, DNV, BV
Further technical details		UL	ECBT2
Weight	52,00 g	cUL	ECBT8
Operating temperature range (min, max)	-40°C...+125°C	General ordering information	
		EAN13 code	8015747015868
		eCl@ss 8.1	27440208
		ETIM 7.0	EC002314
		Packaging Information	
		Packaging length	220,00 mm
		Packaging height	130,00 mm
		Packaging width	240,00 mm
		Packaging weight	1,30 kg
		Packaging volume	6,86 dm ³
		Packaging description	Carton box
		Packaging quantity	20 Pcs
		Packaging EAN code	8015747190909
		Sub-packaging weight	0,07 kg
		Sub-packaging description	Plastic bag
		Sub-packaging quantity	1 Pcs
		Sub-packaging EAN barcode	8015747190916

Part number

CHC 10



Catalogue drawings



Notes

Dimensions shown in mm are not binding and may be changed without notice.
