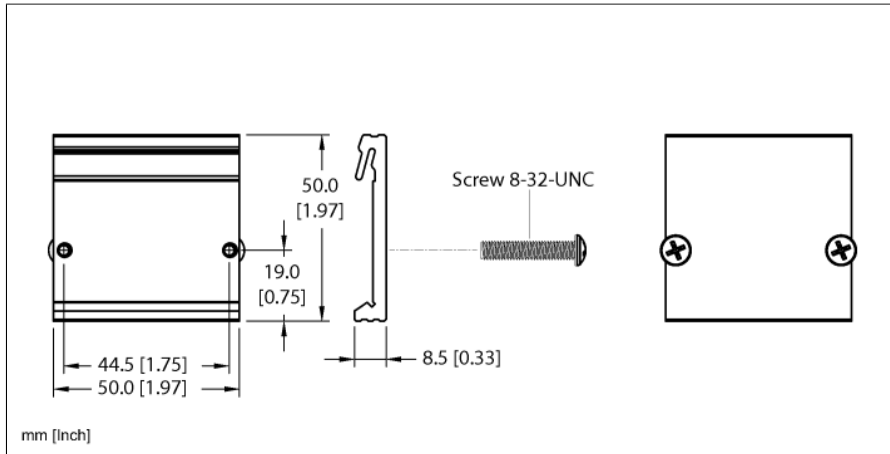


Accessories for fieldbus systems

Mounting Bracket for Fxx20 I/O Stations

For S-Type Fxx20 I/O Stations

FDN20-BKT-DIN



Ident-No (TUSA)	Z0076
Type	FDN20-BKT-DIN
ID	Z0076
Dimensions (W x L x H)	50 x 50 x 8.5 mm
Protection class	IP20
Housing material	Aluminium

- DIN rail bracket fits small Fxx20 I/O stations
- Mounts onto standard 35 mm DIN rail
- Kit includes bracket and 2 mounting screws
- Degree of protection IP20

Auxiliary view

