

Model EOAR - Definite Time, Auto-Reset

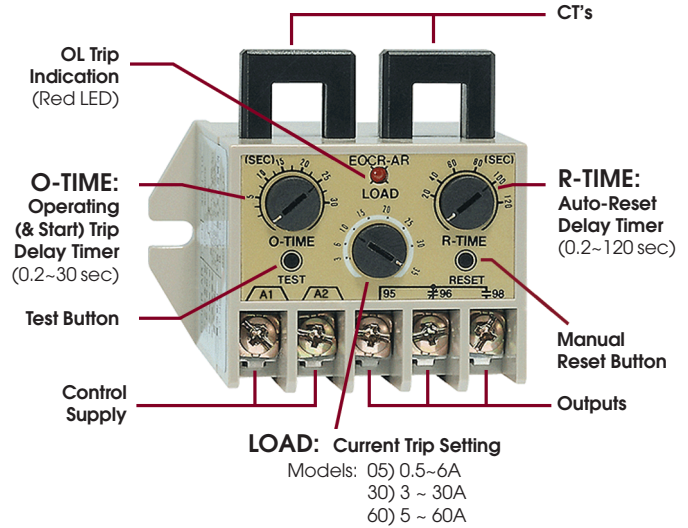
PART NUMBER	CURRENT RANGE	TRADE PRICE
EOAR 052	0.5 ~ 6A	
EOAR 302	3 ~ 30A	
EOAR 602	5 ~ 60A	

Applications

Ideal for controlling conveyors feeding crushers or similar applications.

Features

- Adjustable auto reset time 0.2 ~ 120 seconds
- Single timer for starting and operating trip delay
- DIN rail and stand alone mounting
- Dimensions: 66H x 72W x 60D mm



Model EOS - Inverse Time, Short Circuit

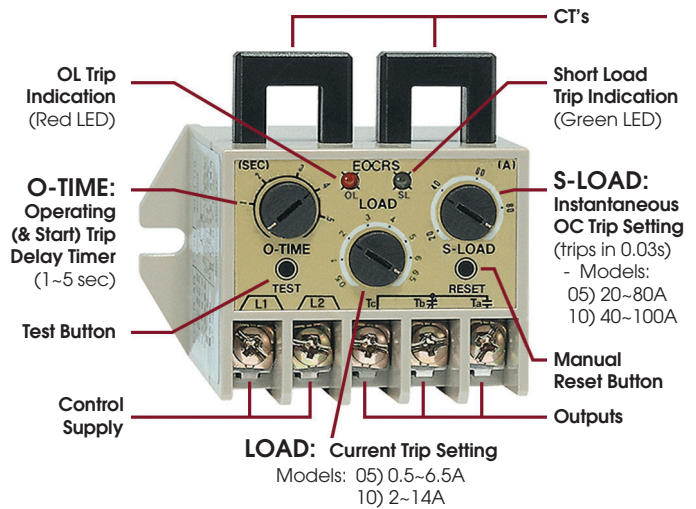
PART NUMBER	CURRENT RANGE		TRADE PRICE
	Main	Instantaneous	
EOS 052	0.5 ~ 6.5A	20 ~ 80A	
EOS 102	2 ~ 14A	40 ~ 100A	

Applications

Ideal for large and high voltage motors.

Features

- Adjustable instantaneous overcurrent protection
- Adjustable trip curve (1~5 sec) @ 600% of load
- Single timer for starting and operating trip delay
- DIN rail and stand alone mounting
- Dimensions: 66H x 72W x 60D mm



Model ECLH - Definite Time, Fine Loads

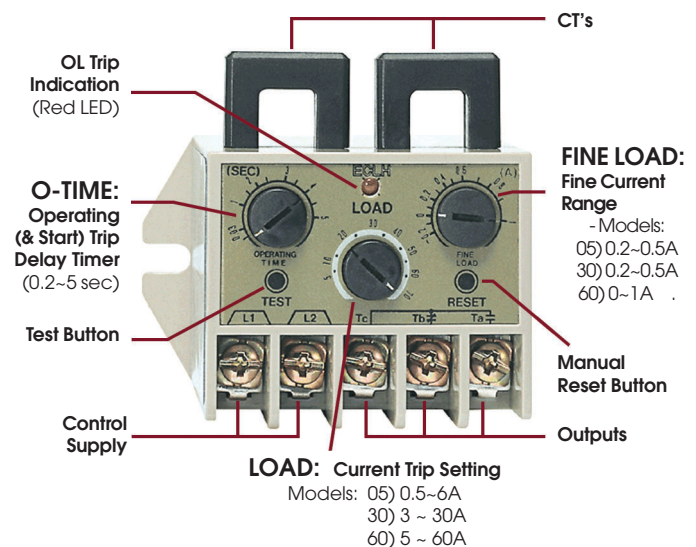
PART NUMBER	CURRENT RANGE		TRADE PRICE
	Main	Fine	
ECLH 052	0.5 ~ 6.5A	0.2 ~ 0.5A	
ECLH 302	3 ~ 30A	0.2 ~ 0.5A	
ECLH 602	5 ~ 60A	0.2 ~ 1.0A	

Applications

For hoists, lifts, elevators and applications where fine overload settings are required.

Features

- Two separate load current adjustments:
 - Main Load Knob & Fine Load Knob
- Electronic shear-pin function
- Manual or electric reset, with options:
 - Type SH: Instant electrical reset
 - Type RD: Delayed reset (set by O-TIME)
- Single timer for starting and operating trip delay
- DIN rail and stand alone mounting
- Dimensions: 66H x 72W x 60D mm



Notes: ① Cable size maybe a limiting factor for 60A models.
 - For ranges over 60A, use EOAR/EOS/ECLH 052 with external CT's.