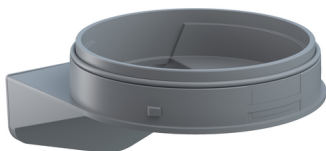


EvoSIGNAL / EvoSIGNAL Accessories

## Maxi angle GY



<b>Part No.:</b>	<b>262.700.07</b>
<b>Series:</b>	<b>EvoSIGNAL</b>



### MECHANICAL DATA

Width	120 mm
Height	74 mm
Materials	PC/ABS
Housing colour	Grey
Protection category	IP66
Cable entry	Through hole
Cable entry maximum	d = 9 mm
Type of fixing	Wall mounting
Working temperature minimum	-30°C
Working temperature maximum	+60°C
Weight with packaging	127 g
Product weight	127 g

### ELECTRICAL DATA

Pollution degree	3
------------------	---

### APPROVAL DATA

Conforms with CE	No
Conforms with RoHS directive	Fulfills substance restriction
WEEE	No
Conforms with ATEX-directive	No
Conforms with CCC	No
Conforms with UL	cULus
UL Type Rating	Type 12
Conforms with FCC	No
Conforms with IC	No
EAC certificate available	No
Conforms with UKCA (Importer)	No
Conforms with AS-I	No
ICAO Certification	No
Conforms with DNV	No
Conforms with RoHS CN	No
Conforms with VdS	No

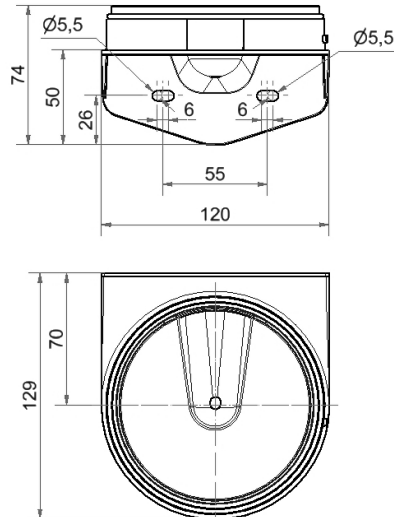


For additional installation and mounting information, refer to the appropriate user guide at [www.werma.com](http://www.werma.com). This printed copy is for information only and is subject to alteration.

EvoSIGNAL / EvoSIGNAL Accessories

## Maxi angle GY

### DRAWING



For additional installation and mounting information, refer to the appropriate user guide at [www.werma.com](http://www.werma.com). This printed copy is for information only and is subject to alteration.