

**ALIMENTATORI SWITCHING DA RETE SERIE DR-120 / DRP-240 / DRP-480S**  
**DR-120 / DRP-240 / DRP-480S SERIES MAINS SWITCHING POWER SUPPLIES**



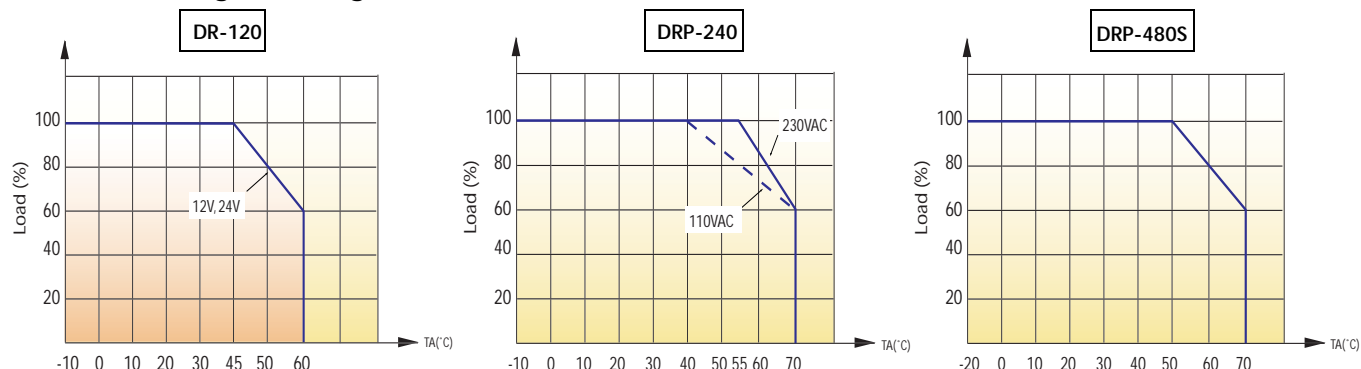
- \* Ingresso universale 85-264VAC / 120-370VDC (Mod. DRP-240)
- \* *Universal AC input / Full range (Mod. DRP-240)*
- \* Tensione ingresso selezionabile by switch ( Mod.DR-120 / DRP-480S)
- \* *AC input range selectable by switch ( Mod.DR-120 / DRP-480S)*
- \* DRP-240 e DRP-480S con PFC
- \* *DRP-240 and DRP-480S built with PFC function*
- \* Protezioni : Corto circuito / Sovraccarico / Sovratensione / Sovratemperatura
- \* *Protections : Short circuit / Over load / Over voltage / Over temperature*
- \* Aggancio per montaggio su barra Din
- \* *Drawbar for mounting on Din bar*
- \* Certificazione CE ed UL 508
- \* *CE and UL 508 certification*
- \* Led tensione uscita
- \* *Output voltage led*

CARATTERISTICHE TECNICHE TECHNICAL FEATURES		MODELLI / MODELS			
		DR-120-12	DR-120-24	DRP-240-24	DRP-480S-24
INGRESSO INPUT	Range tensione ingresso <i>Input voltage Range</i>	88-132VAC / 176-264VAC by switch 248-370VDC		85-264VAC 120-370VDC	90-132VAC/180-264VAC by switch 248-370VDC
	Range frequenza <i>Frequency range</i>	47-63Hz			
	Corrente ingresso (AC) <i>Input current (AC)</i>	3,3A / 115VAC 2A / 230VAC		3,5A / 115VAC 1,8A / 230VAC	11A / 115VAC 4A / 230VAC
USCITA OUTPUT	Tensione uscita <i>Output voltage</i>	12VDC	24VDC	24VDC	24VDC
	Corrente uscita <i>Output current</i>	10A	5A	10A	20A
	Range corrente uscita <i>Output current range</i>	0-10A	0-5A	0-10A	0-20A
	Ripple	80mVp-p	80mVp-p	80mVp-p	120mVp-p
	Regolazione volt uscita <i>Voltage ADJ range</i>	12-14V	24-28V	24-28V	24-28V
	Potenza uscita <i>Rated power</i>	120W	120W	240W	480W
Rendimento <i>Efficiency</i>	80%	84%	84%	89%	
PROTEZIONI PROTECTION	Sovraccarico <i>Over load</i>	105-150% Potenza nominale uscita / 105-150% Rated output power			
	Sovratensione <i>Over voltage</i>	15-16,5V	29-33V	30-36V	30-36V
	Sovratemperatura <i>Over temperature</i>	Tj=85°C +/-5% misurata su transistor di potenza Tj=85°C +/-5% Detected on heat sink of power transistor		Tj100°C +/- 5% misurata su transistor di potenza Tj100°C +/-5% Detected on heat sink of power transistor	
DATI TERMICI THERMAL DATA	Temp. lavoro <i>Working temperature</i>	-10 ~ +60°C		-10 ~ +70°C	-20 ~ +70°C
	Temp. Stoccaggio <i>Storage Temperature</i>	-20 ~ +85°C		-20 ~ +85°C	-40 ~ +85°C
	Umidità <i>working umidity</i>	20-90% RH		20-90% RH	20-90% RH

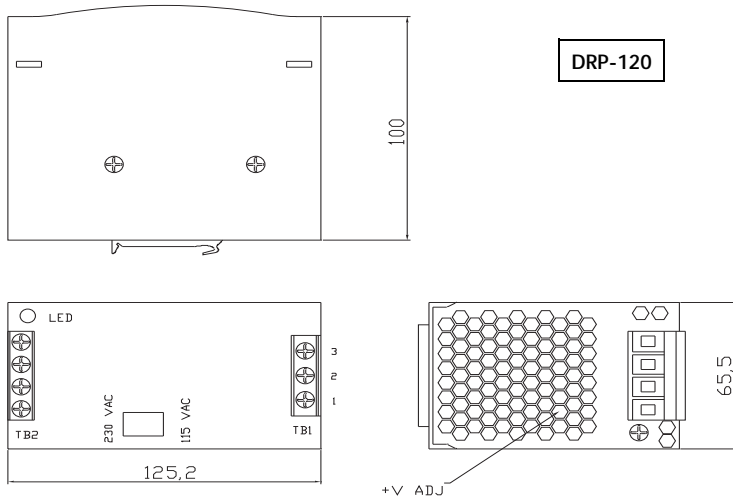
Modelli con uscita a 12VDC disponibili solo su richiesta  
12VDC output models available only on customer's request

CERTIFICAZIONE CE / CE CERTIFICATION  
CERTIFICAZIONE UL / UL CERTIFICATION : UL508

**Curve di deating - Derating curve**



Dimensioni (mm) - Dimension (mm)

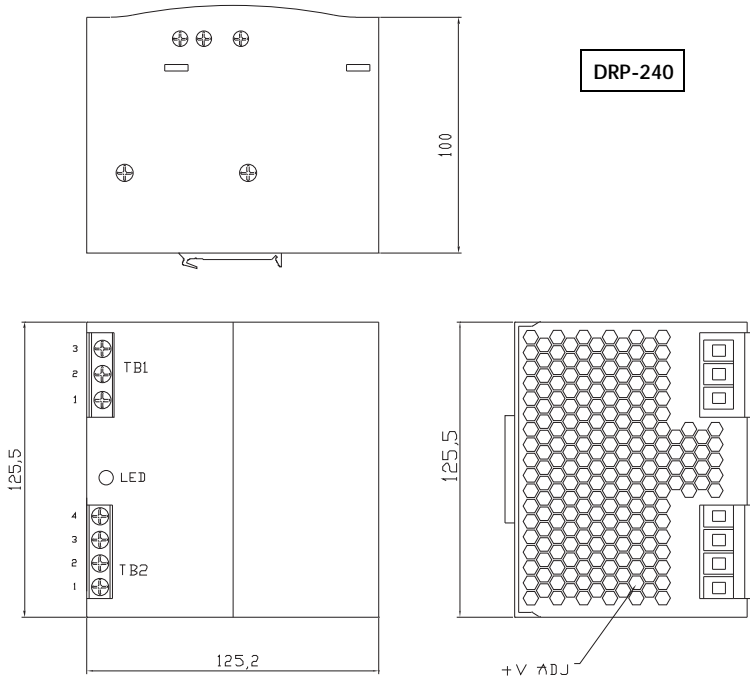


Terminal Pin. No Assignment (TB1)

Pin No.	Assignment
1	FG $\oplus$
2	AC/N
3	AC/L

Terminal Pin. No Assignment (TB2)

Pin No.	Assignment
1,2	DC OUTPUT+V
3,4	DC OUTPUT-V

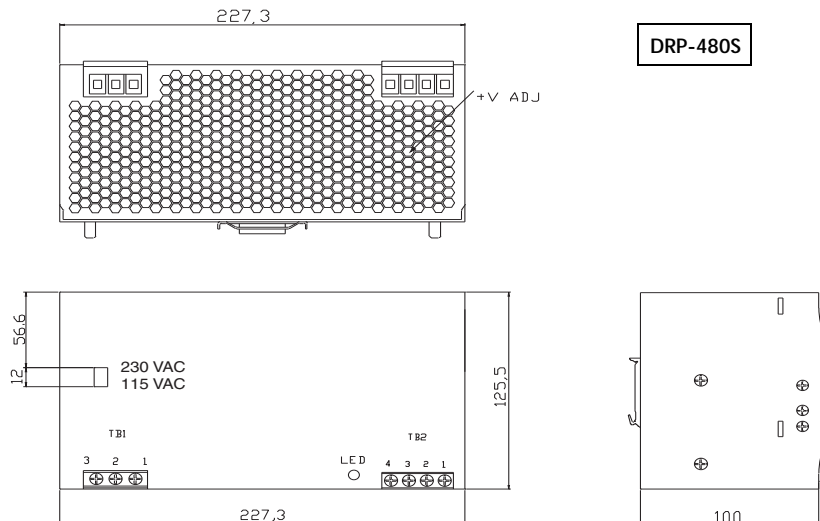


Terminal Pin. No Assignment (TB1)

Pin No.	Assignment
1	FG $\oplus$
2	AC/N
3	AC/L

Terminal Pin. No Assignment (TB2)

Pin No.	Assignment
1,2	DC OUTPUT+V
3,4	DC OUTPUT-V



Terminal Pin. No Assignment (TB1)

Pin No.	Assignment
1	AC/L
2	AC/N
3	FG $\oplus$

Terminal Pin. No Assignment (TB2)

Pin No.	Assignment
1,2	DC OUTPUT+V
3,4	DC OUTPUT-V