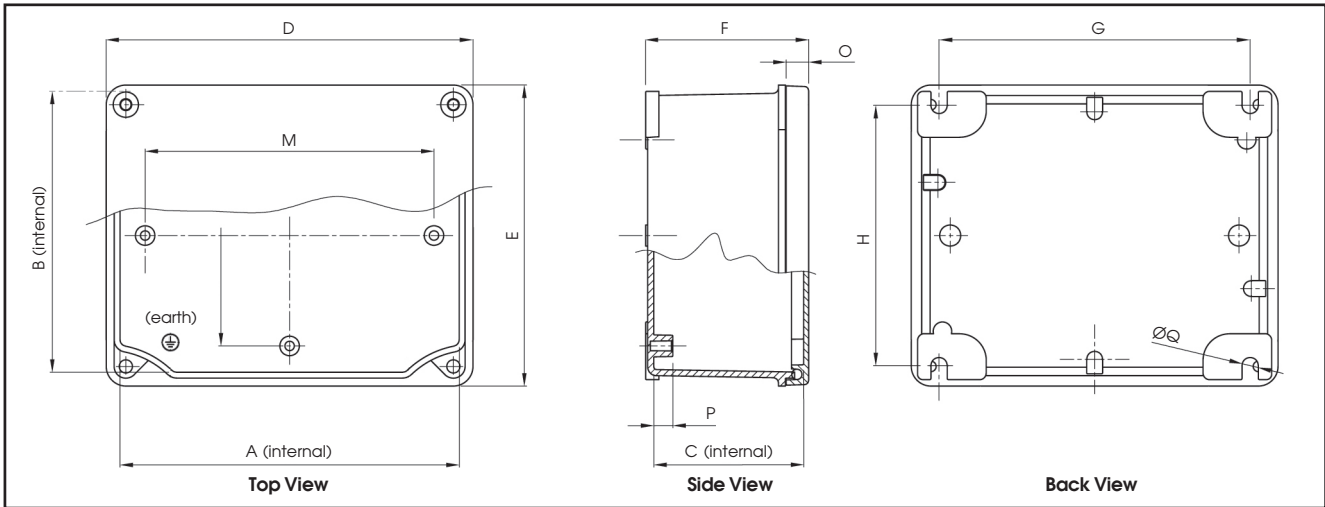


Die Cast Aluminium Alloy Junction Boxes - IP66⁰



Internal Dimensions			External Dimensions			Other Dimensions							PART NUMBER	TRADE PRICE
L	H	D	L	H	D	Wall Mounting			Plate Mounting			Lid		
A	B	C	D	E	F	G	H	Q	M	N	P	O		
91	91	54	101	101	58	86	80	6.1	-	-	7.5	8.3	CTA919154	\$21.12
128	103	57	138.5	113.5	61.5	117.5	101	6.1	109	-	7.3	8.5	CTA121057	\$30.44
155	130	58	165.5	140.5	63.5	144	125	6.1	135	110	7.2	8.6	CTA151358	\$35.8
178	156	75	189	167	80	168	153	6.1	140	120	7.1	8.7	CTA171575	\$52.4
239	202	85	252	215	91	221	194	8.7	208	168	8.7	9	CTA232085	\$85.04
294	244	114	307	257	120.5	275	236	8.7	256	210	8.5	9.2	CTA292411	\$147.76
392	298	144	406.5	312.5	151	367	283	8.7	320	230	8.5	9.6	CTA392914 ①	\$256.28

Notes: ① CAT 39 29 14 rating is IP55, all other sizes IP66

Galvanised-Steel Mounting Plates

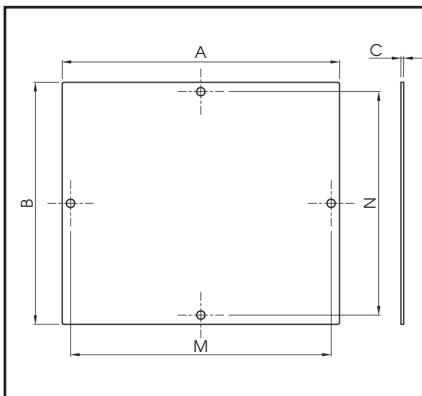


Plate Size			PART NUMBER	TRADE PRICE
L	H	D		
A	B	C		
118.5	78.5	1.5	CTAP1210	\$10.00
144	119	1.5	CTAP1513	\$11.35
149	130	1.5	CTAP1715	\$14.40
219	179	1.5	CTAP2320	\$18.81
267	221	1.5	CTAP2924	\$26.10
331	241	2	CTAP3929	\$38.30

ORDER BACK-MOUNTING PLATE SEPARATELY

Special Features

- Surface finished with epoxy polyester coating
- Earthing facilities on base and lid
- Lid fitted with stainless steel doublenotched head screws
- Expanded EPDM gasket on lid forms a continuous seal

Weather Proof Junction & Utility Boxes



ATEX versions also available
Zones 2 and 22 - Refer to EIC

