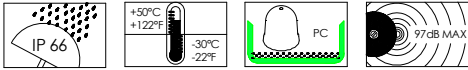
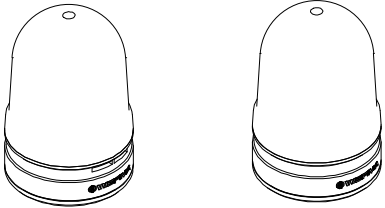


310.410.000
10000013949_00

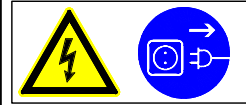
WERMA
D85 Beacon



D85



- Ⓓ Anschluss ausschließlich durch ausgebildete Elektro-Fachkräfte.
- Ⓒ Electrical connection is to be made by trained electrical specialists only .
- Ⓕ Le branchement doit uniquement être effectué par des professionnels.
- Ⓘ Il collegamento deve essere eseguito solo da elettricisti specializzati.
- Ⓔ La conexión sólo debe ser realizada por electricistas debidamente formados.
- Ⓜ A ligação deve ser feita exclusivamente por profissional elétrico especializado.
- Ⓝ De aansluiting mag enkel gebeuren door erkende vakmensen.
- Ⓢ Pripojení smí provádět pouze kvalifikovaný personál.
- Ⓟ Podłączenie wyłącznie przez specjalistów-elektryków.
- Ⓔ Liittäminen kuuluu ainoastaan koulutettujen sähköalan ammattilaisten tehtäviin.
- Ⓢ Подключеніе проводітся только специа-листом-электриком.
- Ⓔ Bağlantı sadece eğitimli elektrik teknisyenleri tarafından yapılmalıdır.
- Ⓝ 布线需由专业电工执行



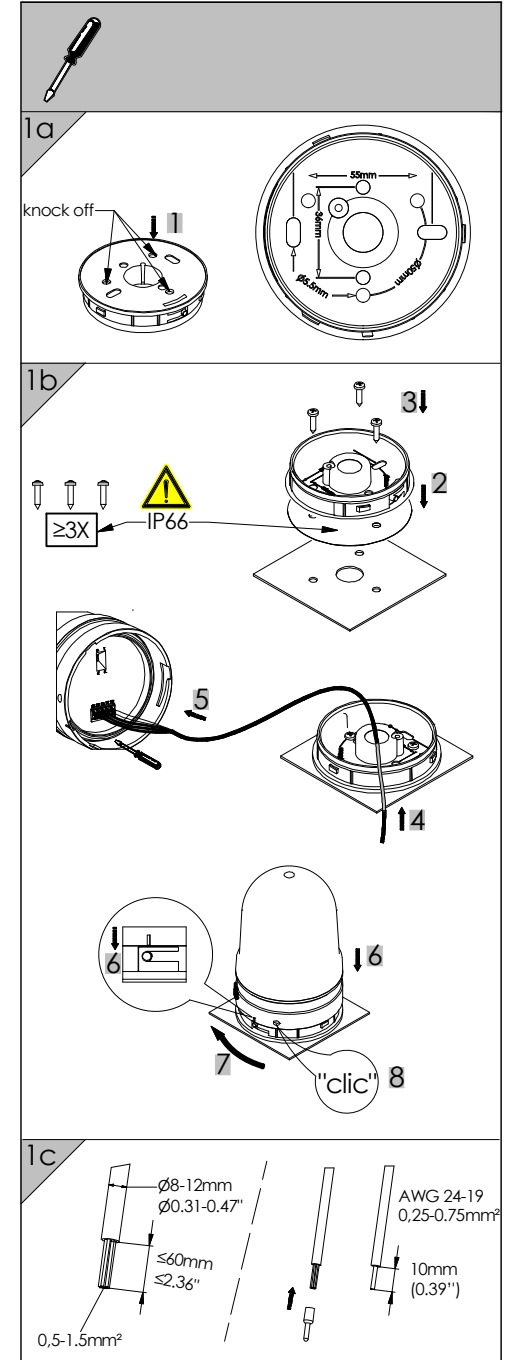
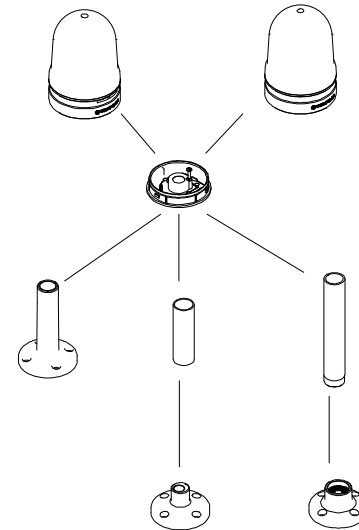
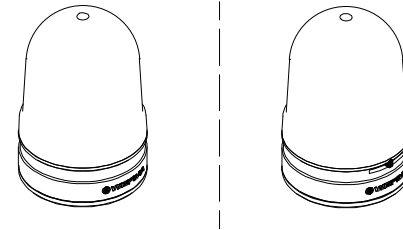
WERMA

WERMA Signaltechnik GmbH + Co.KG
D-78604 Rietheim-Weiheim
Telefon + 49 (0) 7424/9557-0
Telefax + 49 (0) 7424/9557-44
info@werma.com
www.werma.com



810 812 05	D85 Perm./Blink. RD	24VDC	<125 mA
810 832 05	D85 Perm./Blink. YE	24VDC	<125 mA
810 862 05	D85 Rotate/Flash Blink RD	24VDC	<205 mA
810 882 05	D85 Rotate/Flash Blink YE	24VDC	<205 mA
410 812 35	D85 Perm./Blink. Sounder RD	24VDC	<140 mA
410 832 35	D85 Perm./Blink. Sounder YE	24VDC	<140 mA
410 862 45	D85 Rotate/Flash/Blink Sounder RD	24VDC	<225 mA
410 882 45	D85 Rotate/Flash/Blink Sounder YE	24VDC	<225 mA

810 812 05 810 832 05 410 812 35 410 832 35
810 862 05 810 882 05 410 862 45 410 882 45



2
2a - 810 812 05 810 832 05
2b - 810 862 05 810 882 05
2c - 410 812 35 410 832 35
2d - 410 862 45 410 882 45

810 8X2 05
24VDC 120mA
ta 50°C
xxxxxx IP66

Terminal: X1, X0 Com, 1, 2
Switch: Perm., Blink

Switch 3&4 empty; X2&X3&X4 empty

Terminal			Switch	
X1	X0 Com		1	2
●	●		Perm.	Blink

810 8X2 05
24VDC 200mA
ta 50°C
xxxxxx IP66

Terminal: X2, X1, X0 Com, Function
Switch: 1, 2

Switch 3&4 empty; X3&X4 empty

Terminal			Switch		
X2	X1	X0 Com	Function	1	2
●	●	●	Flash	Multi.	Double
●	●	●	Blink	2Hz	1Hz
●	●	●	Rotate	180rpm	120rpm

410 8X2 35
24VDC 140mA
ta 50°C
xxxxxx IP66

Terminal: X2, X1, X0 Com
Switch: 1, 2

X3&X4 empty

Terminal			Switch	
X2	X1	X0 Com	1	2
●	●	●	Perm.	Blink
●		●	3	4

410 8X2 45
24VDC 220mA
ta 50°C
xxxxxx IP66

Terminal: X2, X1, X0 Com, Function
Switch: 1, 2

Terminal			Switch					
X2	X1	X0 Com	Function	1	2			
●	●	●	Flash	Multi.	Double			
●	●	●	Blink	2Hz	1Hz			
●	●	●	Rotate	180rpm	120rpm			
X4 X3 X0 Com			Tone		3		4	
●	●	●	1		95dB	85dB		
●	●	●	2		95dB	85dB		
●	●	●	3		97dB	87dB		



Marking of Hazardous Substances
有害物质标识

WERMA Signaltechnik GmbH + Co. KG
Dürbheimer Straße 15
78604 Rielheim-Weilheim / Germany

WERMA article number 伟马标识物料号:
410 812 35, 410 832 35, 410 862 45, 410 882 45

According to the SJ/T 11364-2014 Standard of the People's Republic of China for the Electronic Industry
本表格依据中华人民共和国 SJ/T 11364-2014 标准编制

Component Name 部件名称	Hazardous Substances 有害物质					
	Lead 铅(Pb)	Mercury 汞(Hg)	Cadmium 镉(Cd)	Hexavalent Chromium 六价铬(Cr(VI))	Polybrominated diphenyl ethers 多溴联苯(PBDE)	Polybrominated diphenyl ethers 多溴二苯醚(PBDE)
Plastic parts 塑料件	○	○	○	○	○	○
Label 标签	○	○	○	○	○	○
PCB and its electr. comp. 印刷电路板及其电子元器件	X*	○	○	○	○	○
Buzzer 蜂鸣器	○	○	○	○	○	○
M12 plug and cable M12 插头和电缆	○	○	○	○	○	○
Cable tie 扎带	○	○	○	○	○	○

This table was developed according to the provisions of SJ/T 11364-2014
本表格依据 SJ/T 11364-2014 标准编制

O: The content of each hazardous substance in all homogeneous materials of such component is **below** the limit required by GB/T 26572-2011.
表示该有害物质在该部件所有均质材料中的含量均在 GB/T 26572-2011 规定的限量要求以下。

X: The content of such hazardous substance in all homogeneous materials of such component is **beyond** the limit required by GB/T 26572-2011.
表示该有害物质在该部件的某一均质材料中的含量超出 GB/T 26572-2011 规定的限量要求。

Enterprises may further explain the technical reasons for ticking "X" in the table above according to their actual situation herein.
企业可在此处，根据实际原因对上表中打“X”的技术原因进行进一步说明。

*Exemptions according to EU RoHS 2011/65 Annex III and IV might be applied
*欧盟 RoHS 2011/65 附件 III 和 IV 的豁免可能适用

■ Restricted substances beyond limit required by GB/T 26572-2011
限制物质的含量超出 GB/T 26572-2011 标准限制

EFUP (Environment Friendly Use Period) 环保使用期限:

Rielheim 里泰姆 30.03.2023
Place and date of issue: 签发地和日期



i.V. 授权: D. Kensy
Director R&D 研发总监



Marking of Hazardous Substances
有害物质标识

WERMA Signaltechnik GmbH + Co. KG
Dürbheimer Straße 15
78604 Rielheim-Weilheim / Germany

WERMA article number 伟马标识物料号:
810 812 05, 810 832 05, 810 862 05, 810 882 05

According to the SJ/T 11364-2014 Standard of the People's Republic of China for the Electronic Industry
本表格依据中华人民共和国 SJ/T 11364-2014 标准编制

Component Name 部件名称	Hazardous Substances 有害物质					
	Lead 铅(Pb)	Mercury 汞(Hg)	Cadmium 镉(Cd)	Hexavalent Chromium 六价铬(Cr(VI))	Polybrominated diphenyl ethers 多溴联苯(PBDE)	Polybrominated diphenyl ethers 多溴二苯醚(PBDE)
Plastic parts 塑料件	○	○	○	○	○	○
Label 标签	○	○	○	○	○	○
PCB and its electronics components 印刷电路板及其电子元器件	○	○	○	○	○	○
M12 plug and cable M12 插头和电缆	○	○	○	○	○	○
Cable tie 扎带	○	○	○	○	○	○

This table was developed according to the provisions of SJ/T 11364-2014
本表格依据 SJ/T 11364-2014 标准编制

O: The content of each hazardous substance in all homogeneous materials of such component is **below** the limit required by GB/T 26572-2011.
表示该有害物质在该部件所有均质材料中的含量均在 GB/T 26572-2011 规定的限量要求以下。

X: The content of such hazardous substance in all homogeneous materials of such component is **beyond** the limit required by GB/T 26572-2011.
表示该有害物质在该部件的某一均质材料中的含量超出 GB/T 26572-2011 规定的限量要求。

Enterprises may further explain the technical reasons for ticking "X" in the table above according to their actual situation herein.
企业可在此处，根据实际原因对上表中打“X”的技术原因进行进一步说明。

*Exemptions according to EU RoHS 2011/65 Annex III and IV might be applied
*欧盟 RoHS 2011/65 附件 III 和 IV 的豁免可能适用

■ Restricted substances beyond limit required by GB/T 26572-2011
限制物质的含量超出 GB/T 26572-2011 标准限制

EFUP (Environment Friendly Use Period) 环保使用期限:

Rielheim 里泰姆 22.05.2023
Place and date of issue: 签发地和日期



i.V. 授权: D. Kensy
Director R&D 研发总监