

FlexSQUARE / LED EVS Beacon 853

**LED EVS Beacon BWM 24VDC BU**

Part No.: 853.520.55

**MECHANICAL DATA**

|                              |                                |
|------------------------------|--------------------------------|
| Length                       | 85 mm                          |
| Width                        | 85 mm                          |
| Height                       | 72 mm                          |
| Materials                    | PC<br>PP-GF                    |
| Dome colour                  | Blue                           |
| Housing colour               | Black                          |
| Protection category          | IP66<br>IP67                   |
| Connection                   | Screw terminals                |
| cross-sectional area maximum | 1,50mm <sup>2</sup> / 16AWG    |
| Cable entry                  | Membrane grommet               |
| Cable entry minimum          | d = 1 mm<br>d = 6 mm           |
| Cable entry maximum          | d = 12 mm<br>d = 9 mm          |
| Type of fixing               | Base mounting<br>Wall mounting |
| Working temperature minimum  | -25°C                          |
| Working temperature maximum  | +50°C                          |
| Weight with packaging        | 166 g                          |
| Product weight               | 136 g                          |

**ELECTRICAL DATA**

|                             |                    |
|-----------------------------|--------------------|
| Operating voltage           | 24V                |
| Operating voltage type      | DC                 |
| Operating voltage tolerance | +/- 10%            |
| Rated operational voltage   | 24 VDC             |
| Rated operational current   | 200 mA             |
| Rated inrush current        | 500 mA             |
| Protection class            | Protection class 2 |
| Pollution degree            | 3                  |

**OPTICAL DATA**

|                      |                  |
|----------------------|------------------|
| Light source         | LED              |
| Light colour         | Blue             |
| Optical signal image | EVS              |
| Service life optical | 50,000 h maximum |

**APPROVAL DATA**

For additional installation and mounting information, refer to the appropriate user guide at [www.werma.com](http://www.werma.com). This printed copy is for information only and is subject to alteration.

FlexSQUARE / LED EVS Beacon 853

## LED EVS Beacon BWM 24VDC BU

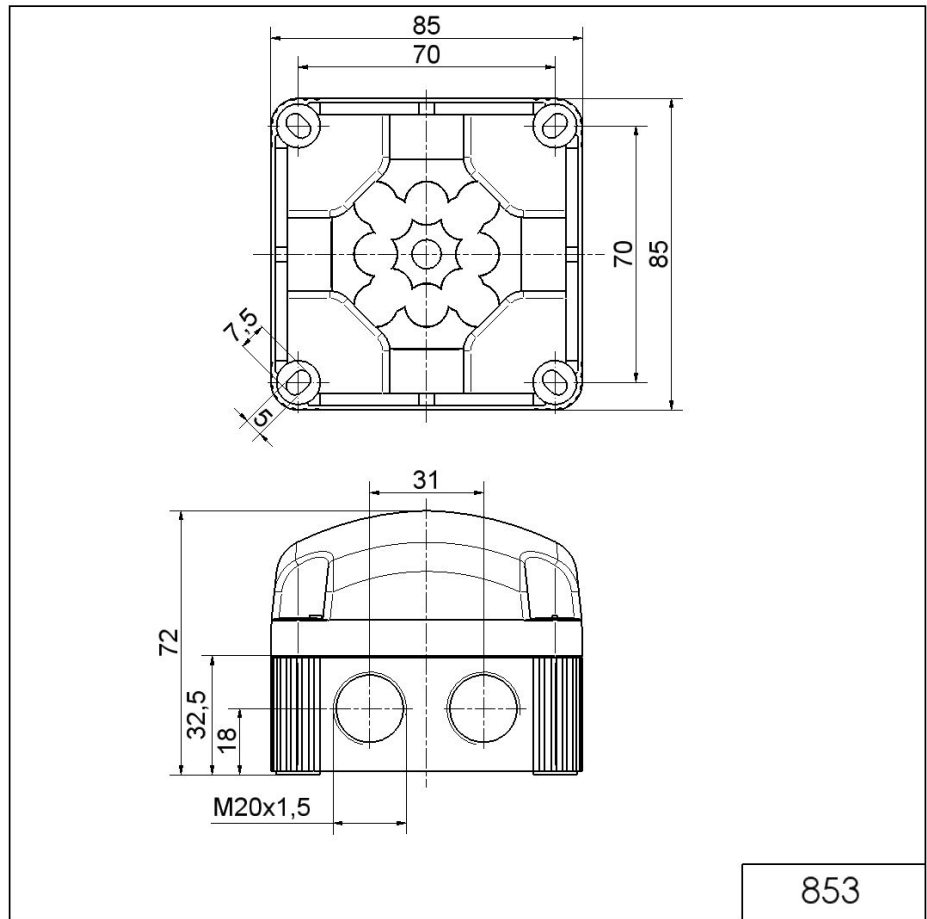
|                               |                       |
|-------------------------------|-----------------------|
| Conforms with CE              | Yes                   |
| Conforms with RoHS directive  | Yes                   |
| WEEE                          | Yes                   |
| Conforms with ATEX-directive  | No                    |
| Conforms with CCC             | No                    |
| Conforms with UL              | No                    |
| Conforms with FCC             | No                    |
| Conforms with IC              | No                    |
| EAC certificate available     | Yes                   |
| Conforms with UKCA (Importer) | Yes (WERMA (UK) Ltd.) |
| Conforms with AS-I            | No                    |
| ICAO Certification            | No                    |
| Conforms with DNV             | No                    |
| Conforms with RoHS CN         | No                    |
| Conforms with VdS             | No                    |

**!** For additional installation and mounting information, refer to the appropriate user guide at [www.werma.com](http://www.werma.com). This printed copy is for information only and is subject to alteration.

FlexSQUARE / LED EVS Beacon 853

**LED EVS Beacon BWM 24VDC BU**

**DRAWING**



! For additional installation and mounting information, refer to the appropriate user guide at [www.werma.com](http://www.werma.com). This printed copy is for information only and is subject to alteration.