

Modular Signal Towers / KombiSIGN 71

**Signal tower KS71 RM 24VAC/DC GN/RD**



<b>Part No.:</b>	<b>649.240.06</b>
<b>Series:</b>	<b>KombiSIGN 71</b>

<b>MECHANICAL DATA</b>	
Height	242 mm
Diameter	70 mm
Materials	PA-GF PC
Dome colour	Green Red
Housing colour	Black
Protection category	IP65
Connection	Spring-type terminal
cross-sectional area minimum	0,25mm <sup>2</sup> / 24AWG
cross-sectional area maximum	1,50mm <sup>2</sup> / 16AWG
Cable entry	Through hole
Cable entry maximum	d = 14 mm
Type of fixing	Tube mounting
Working temperature minimum	-20°C
Working temperature maximum	+50°C
Weight with packaging	297 g
Product weight	242 g

<b>ELECTRICAL DATA</b>	
Operating voltage	24V
Operating voltage type	AC/DC
Operating voltage frequency	50Hz
Operating voltage tolerance	+/- 10%
Rated operational voltage	24 VDC
Rated operational current	30 mA
Rated inrush current	500 mA
Protection class	Protection class 2
Pollution degree	3

<b>OPTICAL DATA</b>	
Light source	LED
Light colour	Green Red
Optical signal image	Permanent
Service life optical	100,000 h maximum

<b>APPROVAL DATA</b>	
Conforms with CE	Yes (through the components)
Conforms with RoHS directive	Fulfills substance restriction

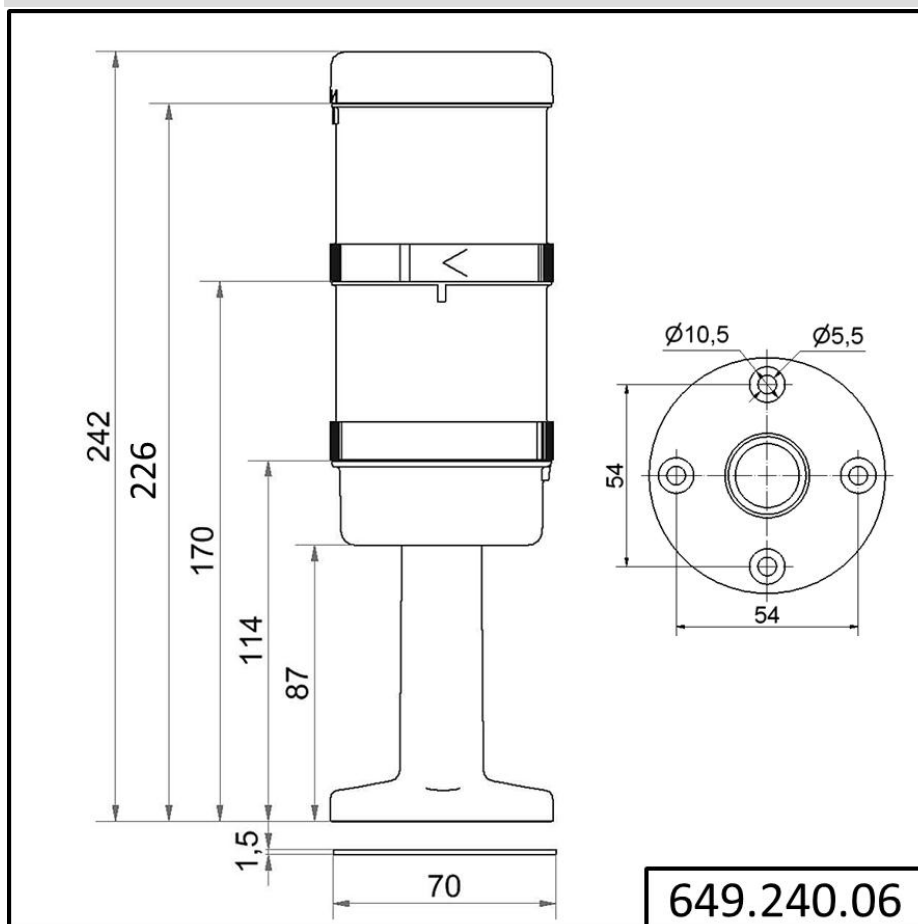
**!** For additional installation and mounting information, refer to the appropriate user guide at [www.werma.com](http://www.werma.com). This printed copy is for information only and is subject to alteration.

Modular Signal Towers / KombiSIGN 71

**Signal tower KS71 RM 24VAC/DC GN/RD**

WEEE	Yes
Conforms with ATEX-directive	No
Conforms with CCC	No
Conforms with UL	No
Conforms with FCC	No
Conforms with IC	No
EAC certificate available	Yes
Conforms with AS-I	No
ICAO Certification	No
Conforms with DNV	No
Conforms with RoHS CN	No
Conforms with VdS	No

**DRAWING**



! For additional installation and mounting information, refer to the appropriate user guide at [www.werma.com](http://www.werma.com). This printed copy is for information only and is subject to alteration.