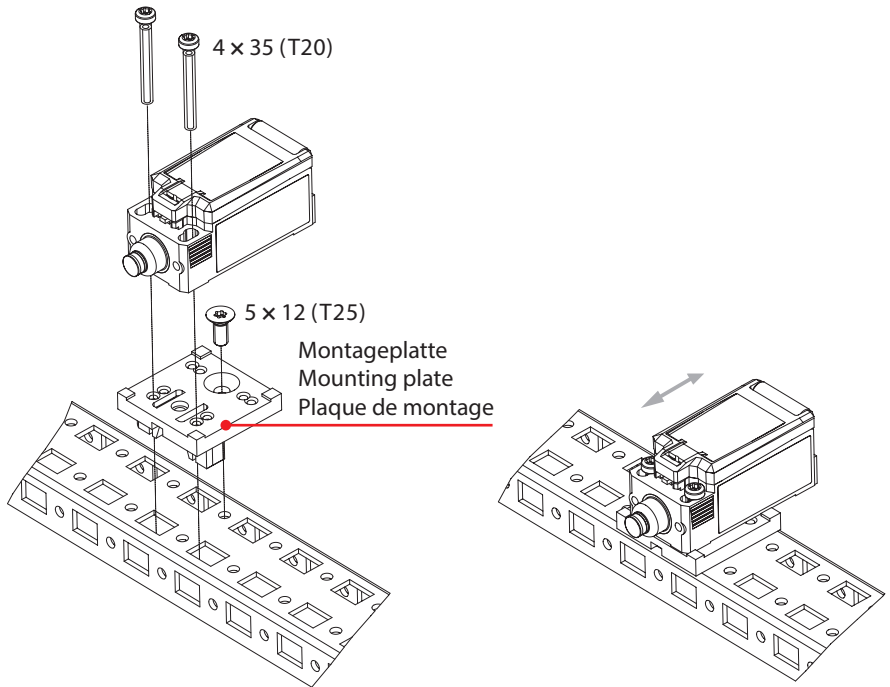


IN62

**Adaption über Montageplatte /
Adaptation via mounting plate /
Adaptation via la plaque de montage**



**Montageanleitung /
Installation Instructions /
Instructions de montage**

Contact

International Headquarter BERNSTEIN AG

Hans-Bernstein-Straße 1
32457 Porta Westfalica
Fon+49 571 793-0
Fax +49 571 793-555
info@de.bernstein.eu
www.bernstein.eu

Hungary BERNSTEIN Kft.

Fon+36 1 4342295
Fax +36 1 4342299
info@hu.bernstein.eu

China BERNSTEIN Safe Solutions (Taicang) Co., Ltd.

Fon+86 512 81608180
Fax +86 512 81608181
info@bernstein-safesolutions.cn

Denmark BERNSTEIN A/S

Fon+45 7020 0522
Fax +45 7020 0177
info@dk.bernstein.eu

Austria BERNSTEIN GmbH

Fon+43 2256 62070-0
Fax +43 2256 62618
info@at.bernstein.eu

Italy BERNSTEIN S.r.l.

Fon+39 035 4549037
Fax +39 035 4549647
info@it.bernstein.eu

France BERNSTEIN S.A.R.L.

Fon+33 1 64 66 32 50
Fax +33 1 64 66 10 02
info@fr.bernstein.eu

Switzerland BERNSTEIN (Schweiz) AG

Fon+41 44 775 71-71
Fax +41 44 775 71-72
info@ch.bernstein.eu

United Kingdom BERNSTEIN Ltd

Fon+44 1922 744999
Fax +44 1922 457555
info@uk.bernstein.eu

www.bernstein.eu