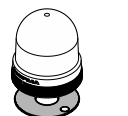
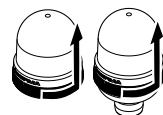
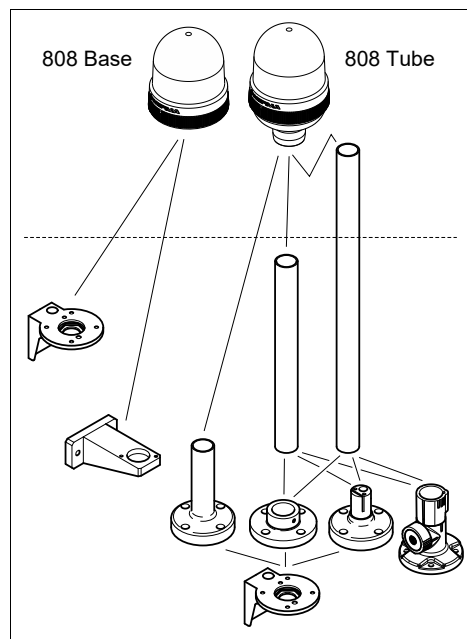


⚠ Critical connection is to be made by trained electrical specialists **only**.

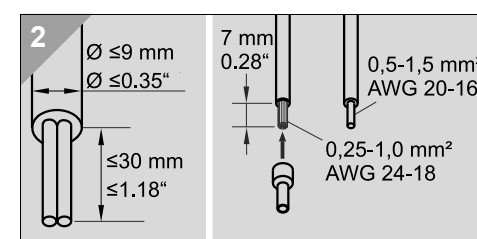
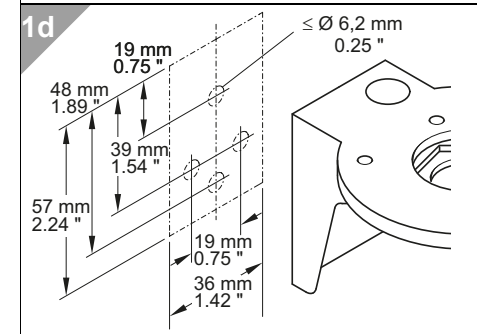
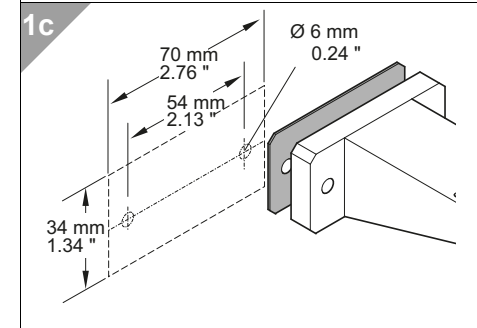
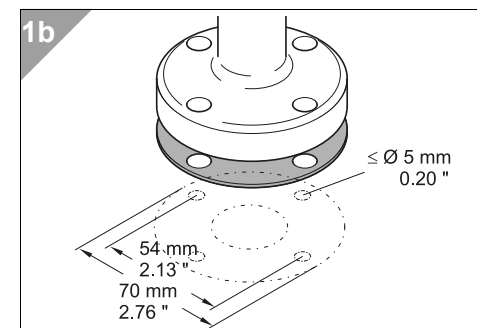
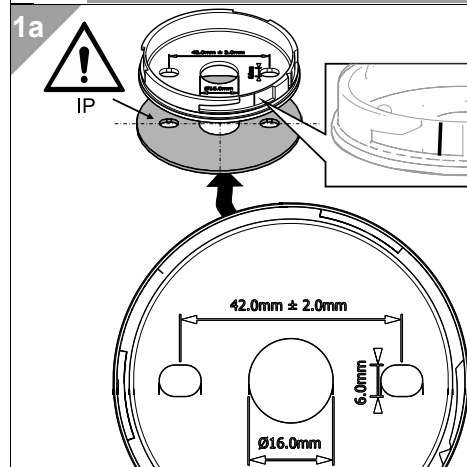
⚠ 线需由专业电工执行



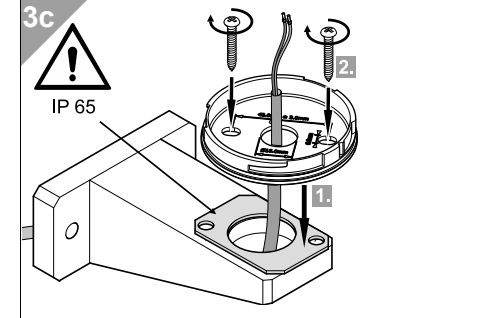
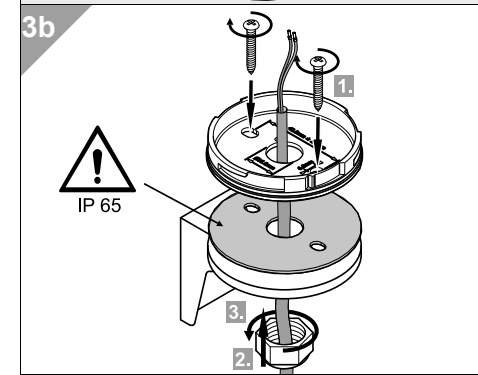
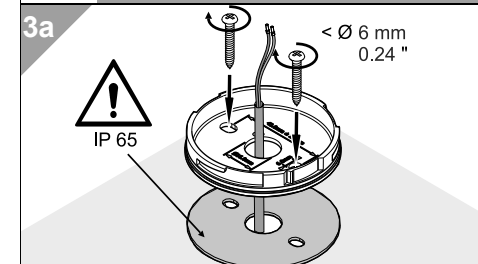
No.	Colour	Description	Supply
808 159 55	RD	LED	24 V=
808 259 55	GN	LED	24 V=
808 359 55	YE	Perm.	I ≤ 45 mA
808 459 55	WH	Beacon	I <sub>0</sub> < 240 mA
808 559 55	BU		
808 159 68	RD		
808 259 68	GN	LED	230 V~
808 359 68	YE	Perm.	I ≤ 20 mA
808 459 68	WH	Beacon	I <sub>0</sub> < 1500 mA
808 559 68	BU		
808 169 55	RD		
808 269 55	GN	LED	24 V=
808 369 55	YE	Perm.	I ≤ 45 mA
808 469 55	WH	Beacon	I <sub>0</sub> < 240 mA
808 569 55	BU		
808 169 68	RD		
808 269 68	GN	LED	230 V~
808 369 68	YE	Perm.	I ≤ 20 mA
808 469 68	WH	Beacon	I <sub>0</sub> < 1500 mA
808 569 68	BU		
808 179 54	RD	LED	12 V=
808 379 54	YE	Flashing	I ≤ 95 mA
808 189 54	RD	Beacon	I <sub>0</sub> < 1000 mA
808 389 54	YE		
808 179 55	RD	LED	24 V=
808 379 55	YE	Flashing	I ≤ 70 mA
808 189 55	RD	Beacon	I <sub>0</sub> < 1000 mA
808 389 55	YE		



**1**  
1a - 808 Base  
1b - 975 849 90 ^ 975 849 91 ^ 975 849 11 ^ 960 009 12  
1c - 960 009 07  
1d - 960 009 01 ^ 960 009 02



**3**  
3a 808 Base  
3b 808 Base + 960 009 02  
3c 808 Base + 960 009 07  
3d 808 Base + 960 009 01 + 975 849 11, 975 849 90, 975 849 91, 960 009 12  
3e 808 Tube



## Marking of Hazardous Substances 有害物质标识

WERMA Signaltechnik GmbH + Co. KG  
Dürbheimer Straße 15  
78604 Rietheim-Weilheim / Germany

WERMA article number 伟马快捷订货号:

808 159 55, 808 259 55, 808 359 55, 808 459 55, 808 559 55, 808 159 68, 808 259 68, 808 359 68, 808 459 68, 808 559 68,  
808 169 55, 808 269 55, 808 369 55, 808 469 55, 808 569 55, 808 169 68, 808 269 68, 808 369 68, 808 469 68, 808 569 68,  
808 179 54, 808 379 54, 808 179 55, 808 379 55, 808 189 54, 808 389 54, 808 189 55, 808 389 55.

According to the SJ/T 11364-2014 Standard of the People's Republic of China for the Electronic Industry

本表格依据中华人民共和国 SJ/T 11364-2014 的规定编制

Component Name 部件名称	Hazardous Substances 有害物质					
	Lead 铅 (Pb)	Mercury 汞 (Hg)	Cadmium 镉 (Cd)	Hexavalent Chromium 六价铬 (Cr (VI))	Polybrominated biphenyls 多溴联苯 (PBB)	Polybrominated diphenyl ethers 多溴二苯醚 (PBDE)
Plastic parts 塑料件	○	○	○	○	○	○
Label 标签	○	○	○	○	○	○
PCB and its electronics components 印制电路板及其电子元件	X*	○	○	○	○	○
Screw 螺钉	○	○	○	○	○	○

This table was developed according to the provisions of SJ/T 11364-2014  
本表格依据 SJ/T 11364-2014 的规定编制

O: The content of such hazardous substance in all homogeneous materials of such component is **below** the limit required by GB/T 26572-2011.

表示该有害物质在该部件所有均质材料中的含量均在 GB/T 26572-2011 规定的限量要求以下。

X: The content of such hazardous substance in all homogeneous materials of such component is **beyond** the limit required by GB/T 26572-2011.

表示该有害物质至少在该部件的某一均质材料中的含量超出 GB/T 26572-2011 规定的限量要求。

Enterprises may further explain the technical reasons for ticking "X" in the table above according to their actual situation herein.

企业可在此处, 根据实际情况对上表中打 "X" 的技术原因进行进一步说明。

\*Exemptions according to EU RoHS 2011/65 Annex III and IV might be applied

\*欧盟 RoHS 2011/65 附件 III 和 IV 的豁免可能适用

■ Restricted substances beyond limit required by GB/T 26572-2011.

限制物质的含量超过 GB/T 26572-2011 的限制

EFUP (Environment Friendly Use Period) 环保使用期限

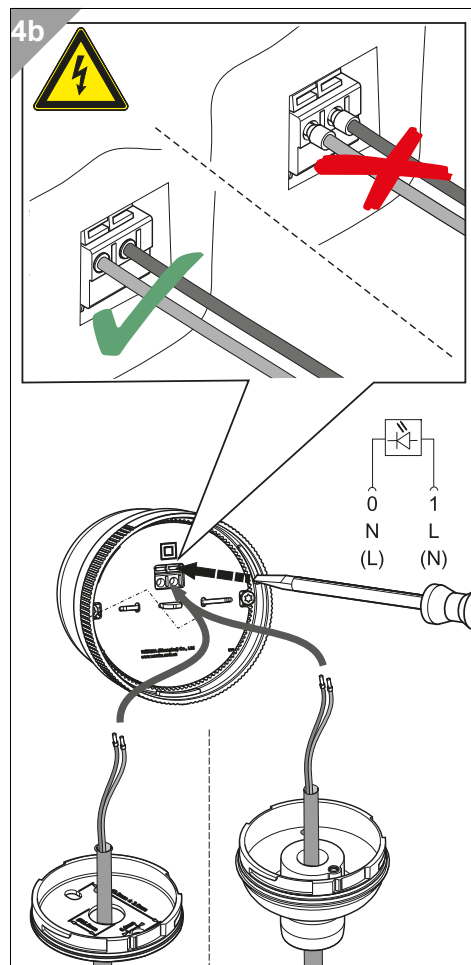


Rietheim 里泰姆, 26.06.2018

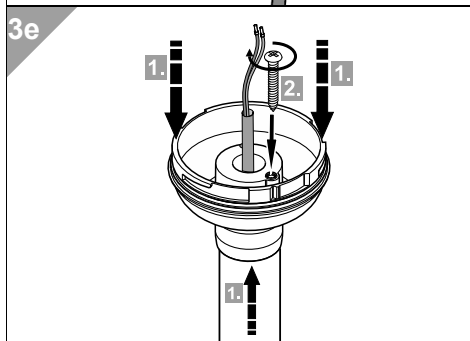
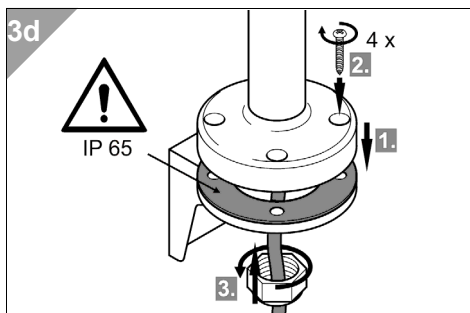
Place and date of issue 签发地点和日期

ppa. 授权 C. Höhle

Director R&D 研发总监



931080800201\_AB  
310.808.002



4  
4a 808 xx9 55, 808 xx9 54  
4b 808 xx9 68

