

EvoSIGNAL / EvoSIGNAL Accessories

Maxi Adapter Floor Mount GY



| | |
|------------------|-------------------|
| Part No.: | 262.700.01 |
| Series: | EvoSIGNAL |



| MECHANICAL DATA | |
|-----------------------------|---------------|
| Height | 27 mm |
| Diameter | 120 mm |
| Materials | PC/ABS |
| Housing colour | Grey |
| Protection category | IP66 |
| Cable entry | Through hole |
| Cable entry maximum | d = 9 mm |
| Type of fixing | Base mounting |
| Working temperature minimum | -30°C |
| Working temperature maximum | +60°C |
| Weight with packaging | 96 g |
| Product weight | 96 g |

| ELECTRICAL DATA | |
|------------------------|---|
| Pollution degree | 3 |

| APPROVAL DATA | |
|-------------------------------|---------|
| Conforms with CE | No |
| WEEE | No |
| Conforms with ATEX-directive | No |
| Conforms with CCC | No |
| Conforms with UL | cULus |
| UL Type Rating | Type 12 |
| Conforms with FCC | No |
| Conforms with IC | No |
| EAC certificate available | No |
| Conforms with UKCA (Importer) | No |
| Conforms with AS-I | No |
| ICAO Certification | No |
| Conforms with DNV | No |
| Conforms with RoHS CN | No |
| Conforms with VdS | No |

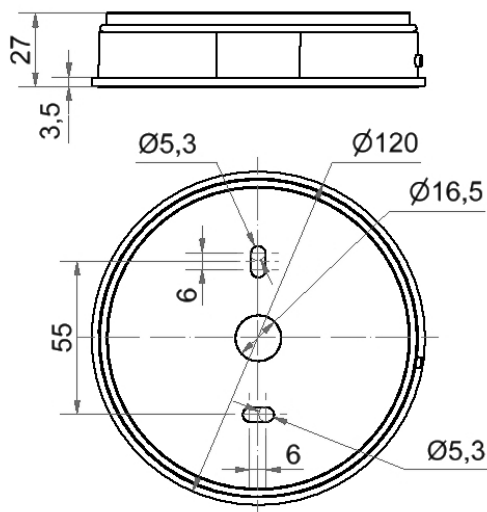


For additional installation and mounting information, refer to the appropriate user guide at www.werma.com. This printed copy is for information only and is subject to alteration.

EvoSIGNAL / EvoSIGNAL Accessories

Maxi Adapter Floor Mount GY

DRAWING



! For additional installation and mounting information, refer to the appropriate user guide at www.werma.com. This printed copy is for information only and is subject to alteration.