

Design multi-tone sounder / Multi-t.sounder 140

Multi-t.sounder WM 32 tne 9-28VDC RD



Part No.: 140.150.50



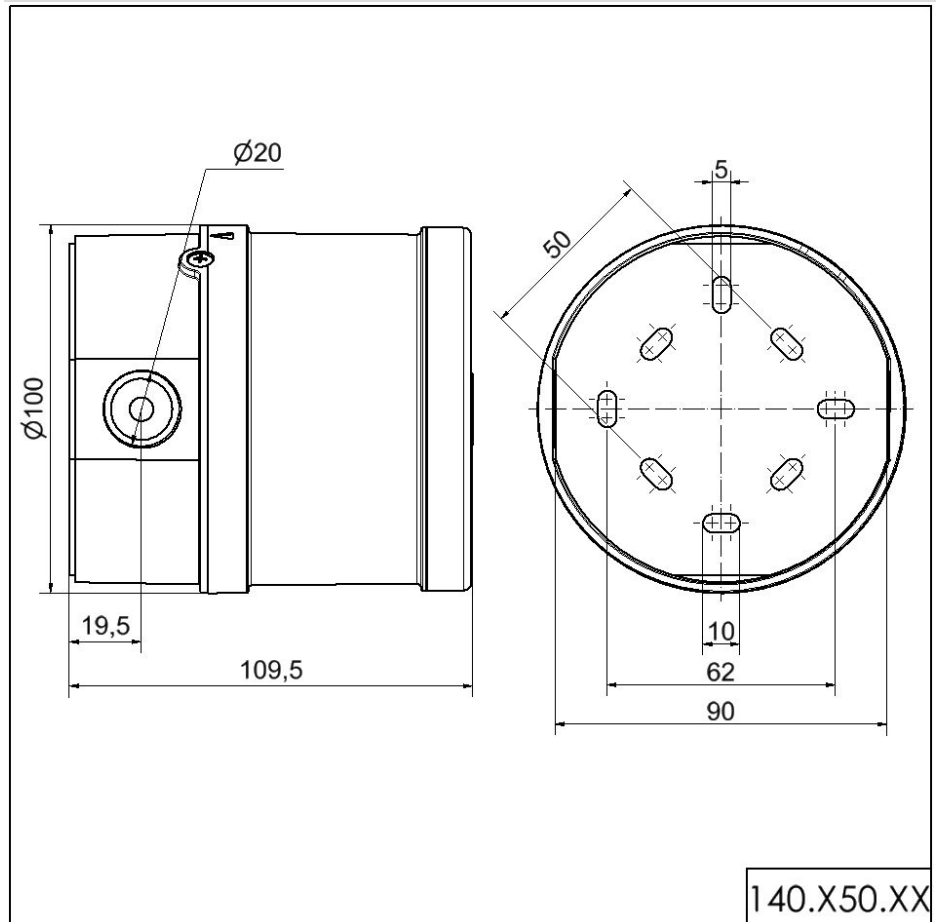
MECHANICAL DATA	
Height	110 mm
Diameter	100 mm
Materials	PC/ABS
Housing colour	Red
Protection category	IP65
Connection	Screw terminals
cross-sectional area maximum	2,50mm ² / 14AWG
Cable entry	Through hole
Type of fixing	Wall mounting
Working temperature minimum	-40°C
Working temperature maximum	+70°C
Weight with packaging	319 g
Product weight	273 g
ELECTRICAL DATA	
Operating voltage	9-28V
Operating voltage type	DC
Operating voltage tolerance	+/- 0%
Rated operational voltage	24 VDC
Rated operational current	120 mA
Rated inrush current	1.400 mA
Protection class	Protection class 2
Pollution degree	3
ACOUSTIC DATA	
Volume (max) at 1m distance	115,0 dB (A)
Acoustic signal image	Multi-tone
Number of tones	32 tone
Acoustic service life	5,000 h minimum
APPROVAL DATA	
Conforms with CE	Yes
WEEE	Yes
Conforms with ATEX-directive	No
Conforms with CCC	No
Conforms with UL	No
Conforms with FCC	No
Conforms with IC	No
EAC certificate available	Yes

! For additional installation and mounting information, refer to the appropriate user guide at www.werma.com. This printed copy is for information only and is subject to alteration.

Design multi-tone sounder / Multi-t.sounder 140
Multi-t.sounder WM 32 tne 9-28VDC RD

Conforms with UKCA (Importer)	Yes (WERMA (UK) Ltd.)
Conforms with AS-I	No
ICAO Certification	No
Conforms with DNV	No
Conforms with RoHS CN	No
Conforms with VdS	No

DRAWING



! For additional installation and mounting information, refer to the appropriate user guide at www.werma.com. This printed copy is for information only and is subject to alteration.