

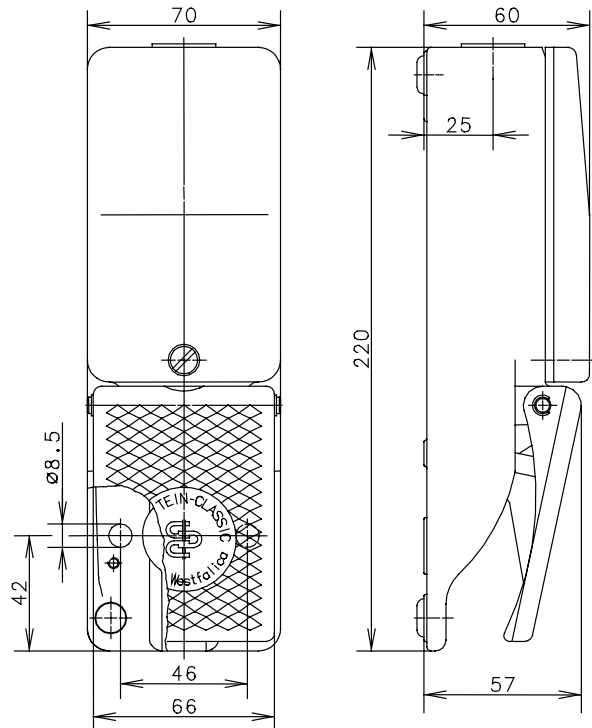
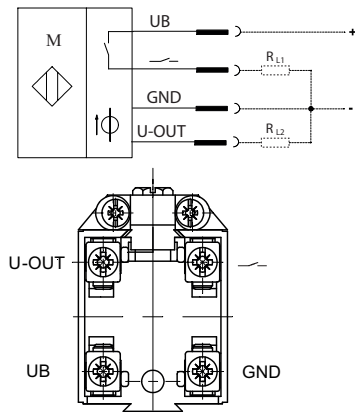
# Foot-switch

## Series F1

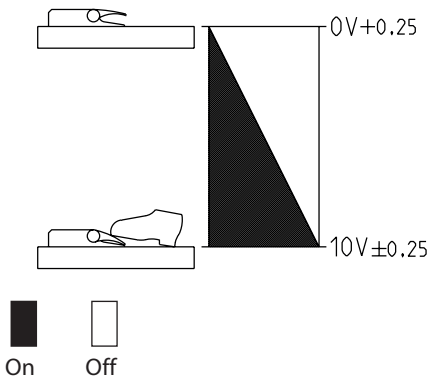
Description **F1-AU0-10V**

Article number **6161500724**

### Wiring diagram



### Characteristic



| <b>Electrical Data</b>                          |   |
|---|---|
| Rated operating voltage range                   | $U_B$ 12 - 26 V DC  |
| Idle current                                    | $I_o$ < 25 mA   |
| Short-circuit protection type switching element | synchronising, permanently short-circuit and overload protected                     |
| Reverse polarity                                | yes   |
| Readiness delay                                 | $t_v$ < 50 ms   |
| Protection class                                | III (safety extra-low voltage)  |
| <b>Analogue output</b>                          |   |
| Voltage output (control range)                  | 0 – 10 V  |
| Linearity errors max.                           | $\pm 2,5$ % from the end value (10 V), $U_B$ and temperature at a constant level    |
| Temperature errors max.                         | $\pm 10$ % $U_B$ constant level   |
| Repetition accuracy                             | $R$ $\leq 2$ % from the end value (10 V), $U_B$ and temperature at a constant level |
| min. Load resistance                            | $R_{L2}$ 2 k $\Omega$   |
| <b>Switching output</b>                         |   |
| switching element function                      | $S$ PNP NO (teachable)  |
| Hysteresis                                      | $H$ $\approx 10$ %  |
| Voltage drop                                    | $U_d$ $\leq 1,6$ V  |
| Utilization category                            | DC 12   |
| Rated operational currents                      | $I_e$ 200 mA  |
| Minimum operating current                       | $I_m$ 1 mA  |
| Residual current                                | $I_r$ < 0,1 mA  |

| <b>Mechanical data</b>   |   |
|--------------------------|---|
| Enclosure                | AL, die-cast  |
| Cover                    | AL, die-cast  |
| Actuator                 | Foot lever (PA)   |
| Ambient air temperature  | -30° C ... +80° C   |
| Operating force          | $\approx 10$ N (pedal centre)   |
| Mechanical life          | 10 x 10 <sup>6</sup> operating cycles   |
| Switching frequency      | max. 50 / min   |
| Assembly                 | 2 x M8  |
| Connection               | screw terminals (M3,5)  |
| Number of connections    | 4   |
| Conductor cross-sections | Solid: 0,5 ... 1,5 mm <sup>2</sup> or<br>Litz wire with ferrules: 0,5 ... 1,5 mm <sup>2</sup> |
| Cable entrance           | 1 x M20 x 1,5   |
| Weight                   | $\approx 1,5$ kg  |
| Protection type          | IP65 acc. to IEC/EN 60529   |

| <b>Standards</b> |  |
|------------------|--|
| EN 60947-5-7     |  |

| <b>EU Conformity <sup>1)</sup></b>           |  |
|--|--|
| acc. to directive 2014/30/EU (EMC-Directive) |  |

**Notes**

The degree of protection specified (IP code) applies only to a properly closed cover and the use of an equivalent cable gland with adequate cable.

<sup>1)</sup>To be conform with the EMV guideline (2014/30/EU) a shielded connection cable has to be used.