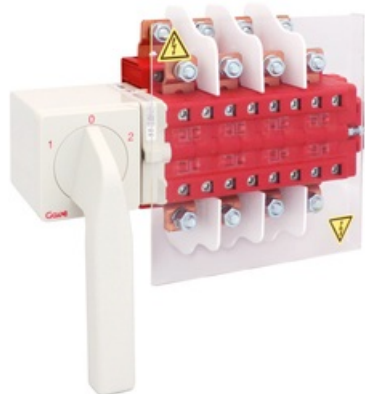


LDA63B100

LD CHANGEOVER SWITCH 4P 200A + CA




| | |
|------|---------------|
| Code | 009LDA63B100 |
| EAN | 8430892215619 |

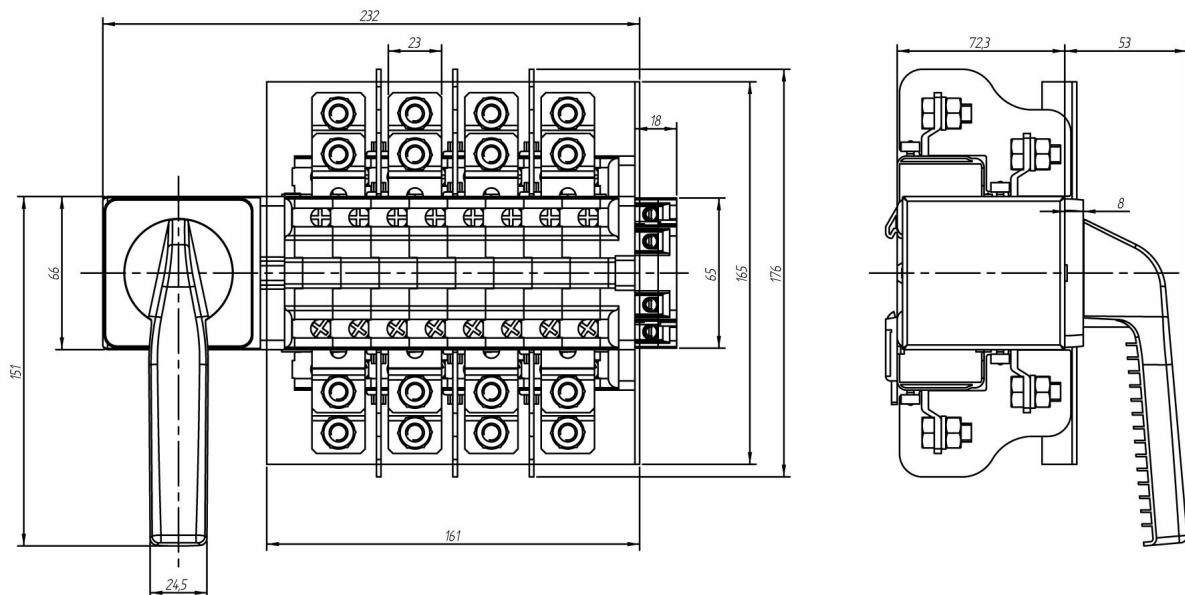
Logistic data

| | |
|---------------|----------|
| Customs code | 85365080 |
| ETIM code | EC000216 |
| Package units | 1 |

Technical data

| | |
|---|---|
| Thermal rating (I _{th}) | 200 A |
| Wire section flexible | 95 mm ² |
| Connection screws | M8 |
| Terminal |  |
| Max. fuse protection (gG/aM) | 200 A (415 V) 200 A (500 V) |
| Conditional shortcircuit current (I _{cc}) | 8 kA (415 V) 8 kA (500 V) |
| Insulating voltage (V~) | 690 |
| Insulating voltage (V...) | 600 |
| Operational rating (I _e) | 200 A |
| Dummy AC-21A | 55 kW (3x230 V) 110 kW (3x415 V) 132 kW (3x500 V) |
| Mixed load AC-22A | 45 kW (3x230 V) 90 kW (3x415 V) 110 kW (3x500 V) |
| Motor load AC-23A | 38 kW (3x230 V) 65 kW (3x415 V) 80 kW (3x500 V) |
| Standards | IEC 60947-3 |

Dimensions



Connection

