

YL5639101

MOTORIZED CHANGEOVER SWITCH 1-0-2 4P 125A INCOMING ON TOP. 12V DC



Code	007YL5639101
EAN	8430892213745

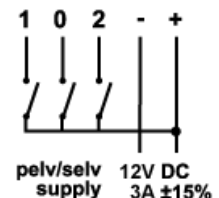
Product description	<p>Motorised changeover switch 1-0-2 , 4 poles 125A with motor unit supply 12Vdc . The supply incoming cables are connected on the top side of the unit and the load outgoing cables are connected on the bottom side. Size D2 dimensions 147x195x113, includes auxiliary contact 12A. Back plate mounting. Built-in internal links, mechanical and electrical interlock. Local emergency operation, includes removable padlockable handle. Display for switch position indication and operation counter. Impulse control logic. Protection against supply voltage failure . Cable clamp connection for wires 16-50mm².</p>
----------------------------	----------------------------------------------------------------------------------------------------------------------------------------------------------------------------------------------------------------------------------------------------------------------------------------------------------------------------------------------------------------------------------------------------------------------------------------------------------------------------------------------------------------------------------------------------------------------------------------------------------------------------------------

Logistic data

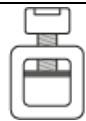
Customs code	85365080
ETIM code	EC000216

Supply and control connection

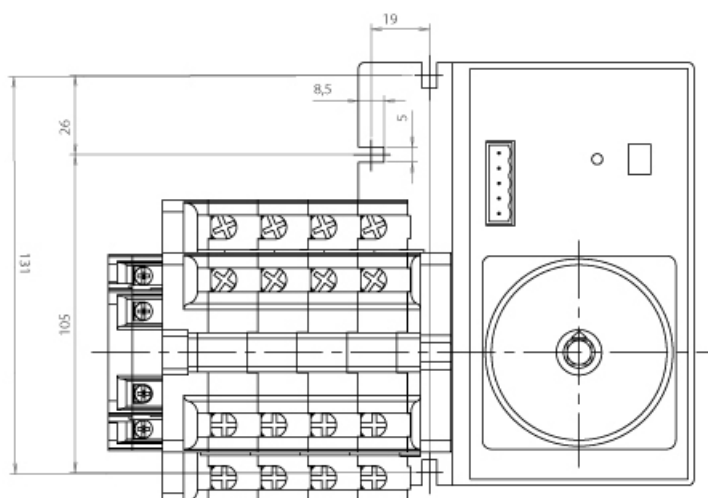
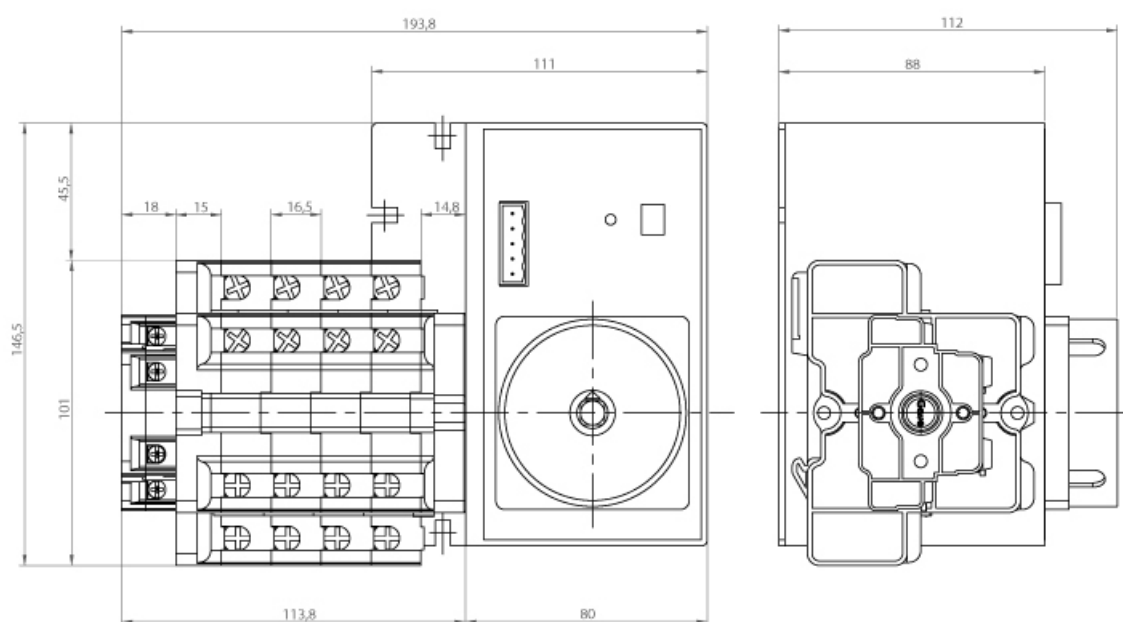
12V DC



Technical data

Rated voltage / frequency	690 V / 50 Hz
Thermal rating (I_{th})	125 A
Wire cross section	16-50 mm ²
Tightening torque	3,5 Nm
Connection screws	M8
Terminal	
Operational rating (I_e)	125 A
Peak consumption	2,5 A
Nominal consumption	40 mA
Weight	2250 gr
Supply voltage (V DC)	12 V +15%
Standards	IEC 60947-3

Dimensions



Connection

