

A-5636100

CHANGEOVER SWITCH 4P 63A.D2

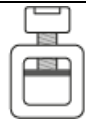


Code	009A-5636100
EAN	8430892102698
Product description	Changeover cam switch, IP20 with 1-0-2 grey front plate 64x64 for panel fixing. 4 poles 63A. Size D2. Ergonomic screwless quick-mount handle. Connection with cage terminals for 16-50 mm ² cable. Compatible with multiple accessories from the A5 series.

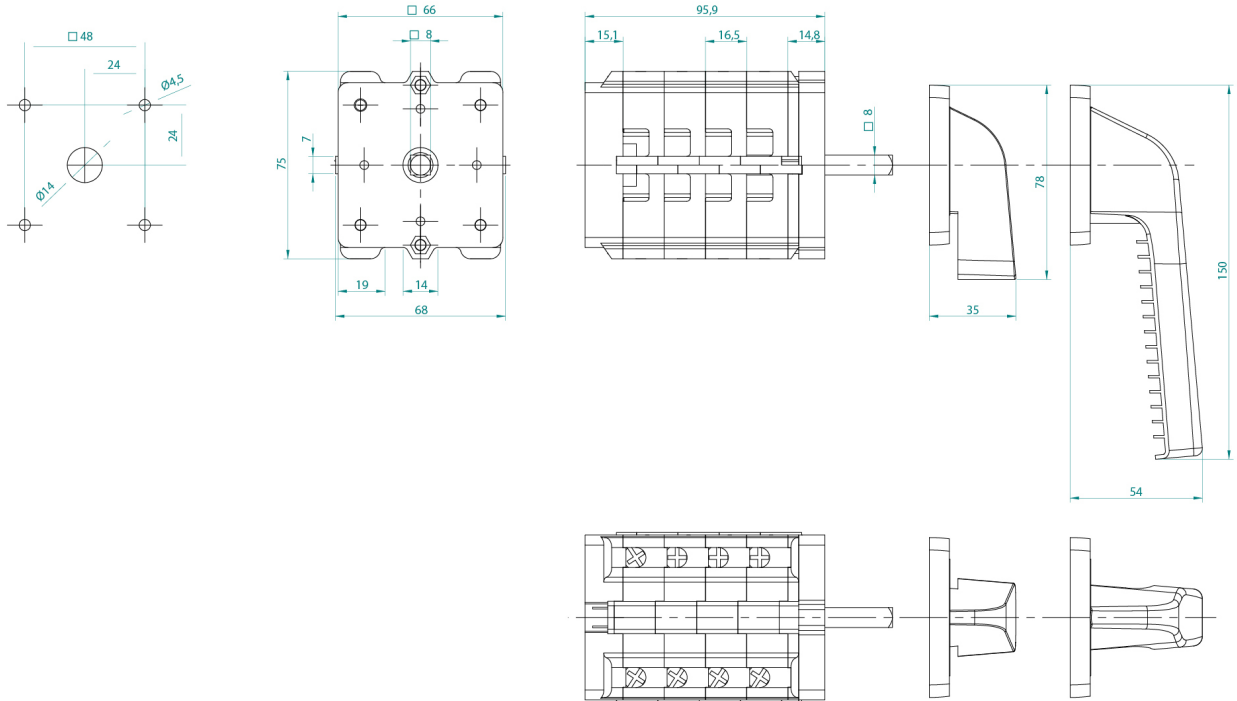
Logistic data

Customs code	85365080
ETIM code	EC000216
Package units	1
Product gross weight (kg)	0.81
Package height (mm)	135
Package width (mm)	84
Package length (mm)	70

Technical data

Thermal rating (I _{th})	70 A
Wire section (AWG)	16 - 1
Wire section flexible	16 - 50 mm ²
Tightening torque	3,5 Nm
Connection screws	M8
Terminal	
Max. fuse protection (gG/aM)	63/63 A (415 V) 63/63 A (500 V)
Conditional shortcircuit current (I _{cc})	8 kA (415 V) 8 kA (500 V)
Insulating voltage (V~)	690
Insulating voltage (V...)	600
Operational rating (I _e)	63 A
Dummy AC-21A	22 kW (3x230 V) 45 kW (3x415 V) 45 kW (3x500 V)
Mixed load AC-22A	18,5 kW (3x230 V) 37 kW (3x415 V) 45 kW (3x500 V)
Motor load AC-23A	15 kW (3x230 V) 22 kW (3x415 V) 30 kW (3x500 V)
UL Electric characteristics	5 hp 1-fase (110-120 V) 10 hp 1-fase (220-240 V) 15 hp 3-fase (220-240 V) 25 hp 3-fase (380-415 V) 30 hp 3-fase (440-480 V) 32 hp 3-fase (550-600 V)
Standards	IEC 60947-3 UL 508

Dimensions



Connection

