

A-5533101

ON-OFF SWITCH DISCONNECTOR 4P 32A.D1 IP65




| | |
|----------------------------|---|
| Code | 009A-5533101 |
| EAN | 8430892339025 |
| Product description | Cam switch-disconnector and IP65 gasket, with 0-1 red front plate 64x64 for panel fixing. 4 poles 32A. Size D1. Ergonomic screwless quick-mount handle. Connection with cage terminals for 6-16 mm ² cable. Compatible with multiple accessories from the A5 series. |

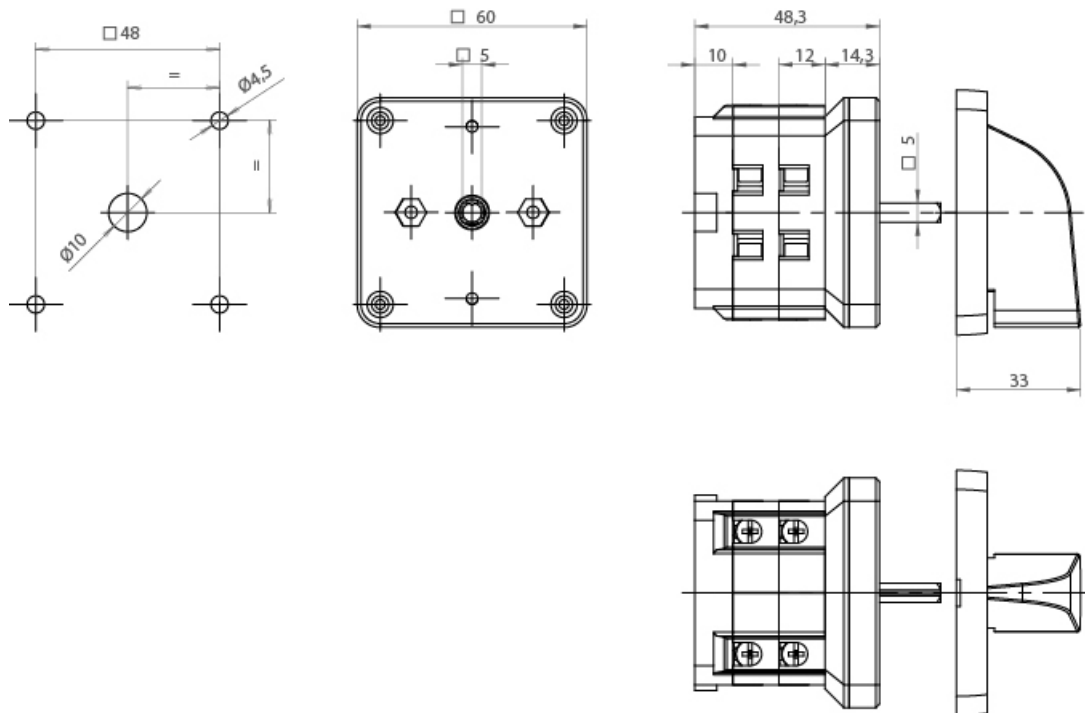
Logistic data

| | |
|----------------------------------|----------|
| Customs code | 85365080 |
| ETIM code | EC000216 |
| Package units | 1 |
| Product gross weight (kg) | 0.23 |
| Package height (mm) | 95 |
| Package width (mm) | 68 |
| Package length (mm) | 68 |

Technical data

| | |
|---|---|
| Thermal rating (I _{th}) | 40 A |
| Wire section (AWG) | 6 |
| Wire section rigid | 6 - 25 mm ² |
| Wire section flexible | 6 - 16 mm ² |
| Tightening torque | 2 Nm |
| Connection screws | M5 |
| Terminal |  |
| Max. fuse protection (gG/aM) | 40/32 A (415 V) 40/32 A (500 V) |
| Conditional shortcircuit current (I _{cc}) | 6 kA (415 V) 6 kA (500 V) |
| Insulating voltage (V~) | 690 |
| Insulating voltage (V...) | 600 |
| Operational rating (I _e) | 32 A |
| Dummy AC-21A | 11 kW (3x230 V) 18,5 kW (3x415 V) 22 kW (3x500 V) |
| Mixed load AC-22A | 7,5 kW (3x230 V) 15 kW (3x415 V) 18,5 kW (3x500 V) |
| Motor load AC-23A | 5,5 kW (3x230 V) 11 kW (3x415 V) 15 kW (3x500 V) |
| UL Electric characteristics | 2 hp 1-fase (110-120 V) 3 hp 1-fase (220-240 V) 7,5 hp 3-fase (220-240 V) 10 hp 3-fase (380-415 V) 10 hp 3-fase (440-480 V) 15 hp 3-fase (550-600 V) |
| Standards | IEC 60947-3 UL 508 |

Dimensions



Connection

| | | |
|-----|---|-----|
| 7 | 8 | X |
| 5 | 6 | X |
| 3 | 4 | X |
| 1 | 2 | X |
| 553 | | 0 1 |

