
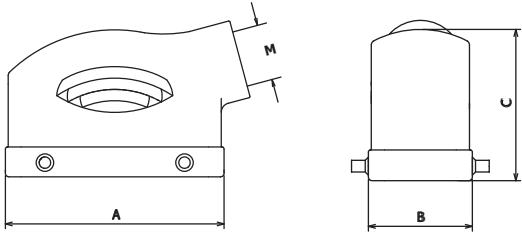


Hoods side entry with 4 pegs for two levers	Size	Thread		Type STD Part No.																
  <table border="1" data-bbox="169 1323 753 1496"> <thead> <tr> <th>Size</th> <th>A</th> <th>B</th> <th>C</th> </tr> </thead> <tbody> <tr> <td>10B 57x27</td> <td>73.5</td> <td>43.5</td> <td>52</td> </tr> <tr> <td>16B 77x27</td> <td>94</td> <td>43.5</td> <td>63</td> </tr> <tr> <td>24B 104x27</td> <td>120.5</td> <td>43.5</td> <td>63</td> </tr> </tbody> </table>	Size	A	B	C	10B 57x27	73.5	43.5	52	16B 77x27	94	43.5	63	24B 104x27	120.5	43.5	63	16B 77x27	M25		7816.6571.0
	Size	A	B	C																
10B 57x27	73.5	43.5	52																	
16B 77x27	94	43.5	63																	
24B 104x27	120.5	43.5	63																	
24B 104x27	M25		7824.6573.0																	



- Type: STD for standard applications and inserts up to 500V series: S-D, S-DD, S-E, S-ES, S-EP, S-ESHV, S-EE, S-HSB, S-K, S-M, S-EHV crimp.
- IP66 protection degree
- For IP66 cable glands