
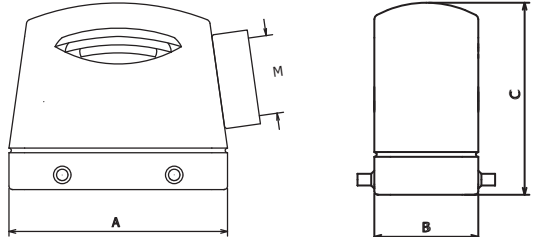


Hoods side entry with 4 pegs for two levers	Size	Thread	Type STD-HV	Type STD																				
			Part No.	Part No.																				
 <p>HC - High Construction</p>  <table border="1" data-bbox="167 1265 750 1478"> <thead> <tr> <th>Size</th> <th>A</th> <th>B</th> <th>C</th> </tr> </thead> <tbody> <tr> <td>10B 57x27</td> <td>73.5</td> <td>43.5</td> <td>80</td> </tr> <tr> <td>16B 77x27</td> <td>94</td> <td>43.5</td> <td>80</td> </tr> <tr> <td>24B 104x27</td> <td>120.5</td> <td>43.5</td> <td>*80</td> </tr> <tr> <td>32B 77x62</td> <td>94</td> <td>83</td> <td>94</td> </tr> </tbody> </table>	Size	A	B	C	10B 57x27	73.5	43.5	80	16B 77x27	94	43.5	80	24B 104x27	120.5	43.5	*80	32B 77x62	94	83	94	10B 57x27	M32		7810.6485.0
	Size	A	B	C																				
	10B 57x27	73.5	43.5	80																				
	16B 77x27	94	43.5	80																				
24B 104x27	120.5	43.5	*80																					
32B 77x62	94	83	94																					
16B 77x27	M32		7816.6487.0																					
24B 104x27	M40		7824.6490.0																					
32B 77x62	M50	7832.6577.0	7832.6577.0																					

*For threads M40 C = 81 with hoods LS (large shape) type



- Type: STD for standard applications and inserts up to 500V series: S-D, S-DD, S-E, S-ES, S-EP, S-ESHV, S-EE, S-HSB, S-K, S-M, S-EHV crimp.
- Type: STD-HV for standard applications and inserts up to 830V, S-EHV series screw terminal and S-HSB for applications over 500V up to 830V.
- IP66 protection degree
- For IP66 cable glands