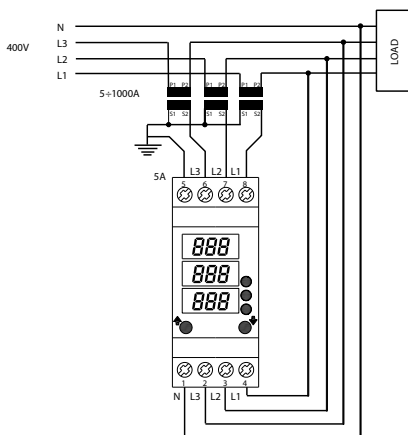


MODULAR ACCESSORIES

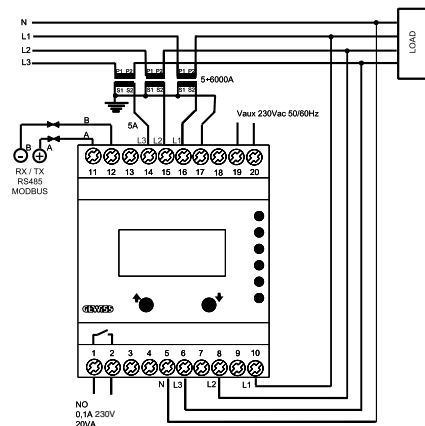
Multimeter and network analyser

TECHNICAL DATA		
Type:	Multimeter	Network analyser
Standard:	EN 61010	EN 61010
Rated operating voltage (Ue):	230 a.c. Phase-Neutral	230 a.c. Phase-Neutral
Rated frequency:	50-60	50-60
Activation:	CT of 5A	CT of 5A
Suitable for network system:	single and three-phase	single and three-phase
Measured values:	Instantaneous measures: - voltage (phase and line) - current	Instantaneous measures: - voltage (phase and line) - power (phases and neutral) - frequency - active, reactive, apparent power (total and by phase) - cos ϕ (total and per phase) Average values (based on 15min): - active, reactive, apparent power (total and by phase) Energy measurement: - active energy (partial, resettable and total) - reactive energy (partial, resettable and total)
Resetting of partial energy count:	-	active and reactive
Display:	LED	LCD
Number of digits displayed:	3	4
Remote signalling contact:	-	all measured values
RS485 output:	-	MODBUS RTU
Precision class:	0.5	2
Overloadability:	1.1 In	1.2 In
Absorbed power:	2	2
Degree of protection:	IP20	IP20
Operating temperature:	(°C) -5...+55	0...+55
Storage temperature:	(°C) -10...+70	-10...+70

Circuit diagrams - Multimeter



Circuit diagrams - Network analyser

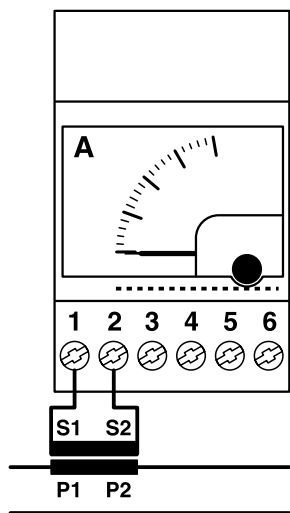


MODULAR ACCESSORIES

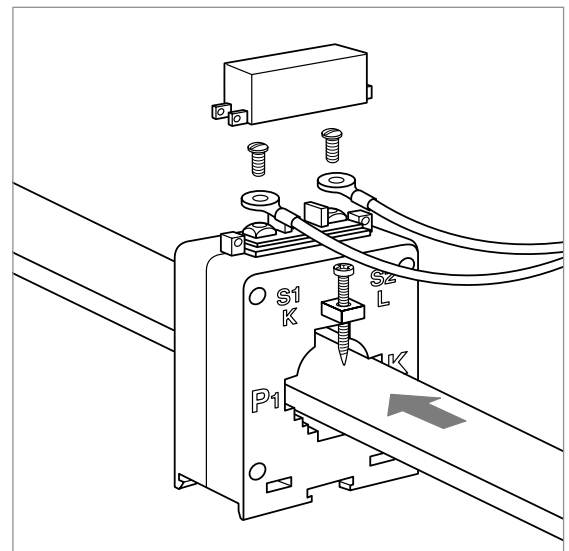
Current transformers

TECHNICAL DATA		
Standards:		EN 61869-1, EN 61869-2
Secondary current:	(A)	5
Rated frequency:	(Hz)	50-60
Test voltage:		6kV at 50Hz for 1 min.
Overload:		1.2 I _n
Dynamic shorting current:		2.5 I _{th}
Safety factor:		< 5
Degree of protection:		IP30
Operating temperature:	(°C)	-20...+50
Storage temperature:	(°C)	-40...+80
Relative humidity:		80%
Maximum cable section:	(mm ²)	10

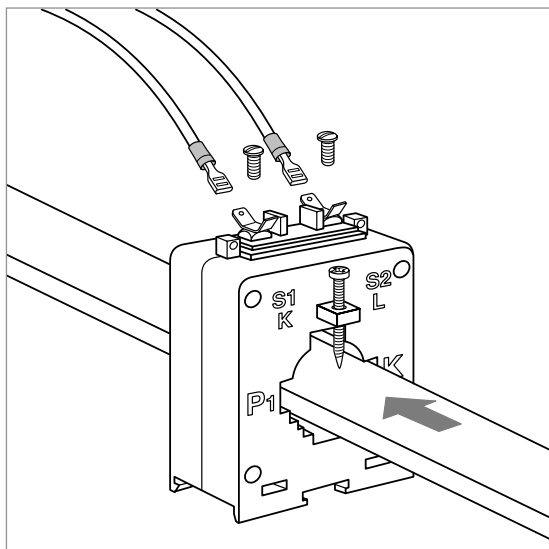
Circuit diagrams



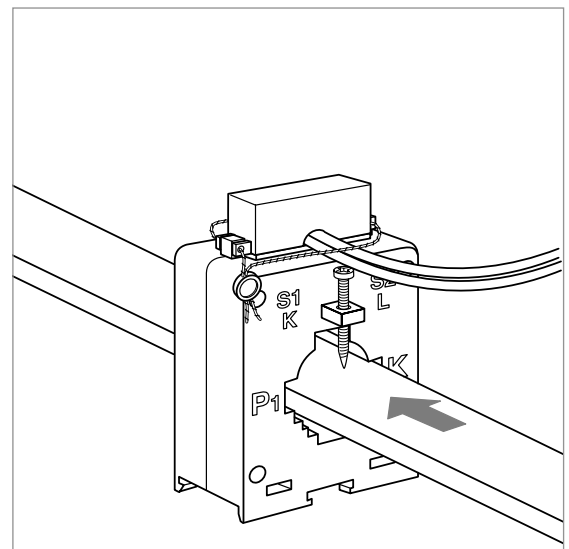
CONNECTION WITH CABLE TERMINAL



CONNECTION WITH FAST-ON (6.3MM)

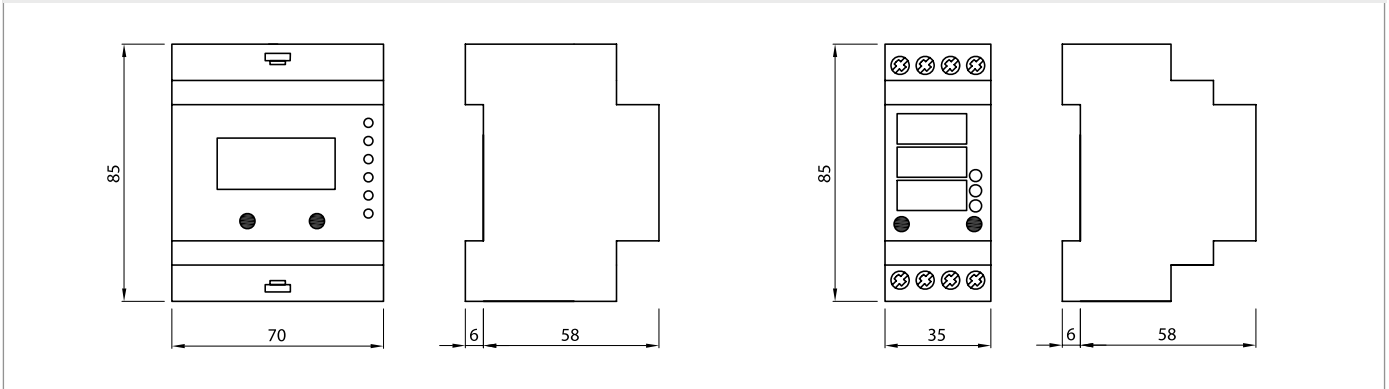


TERMINAL COVER FIXING AND SEALING

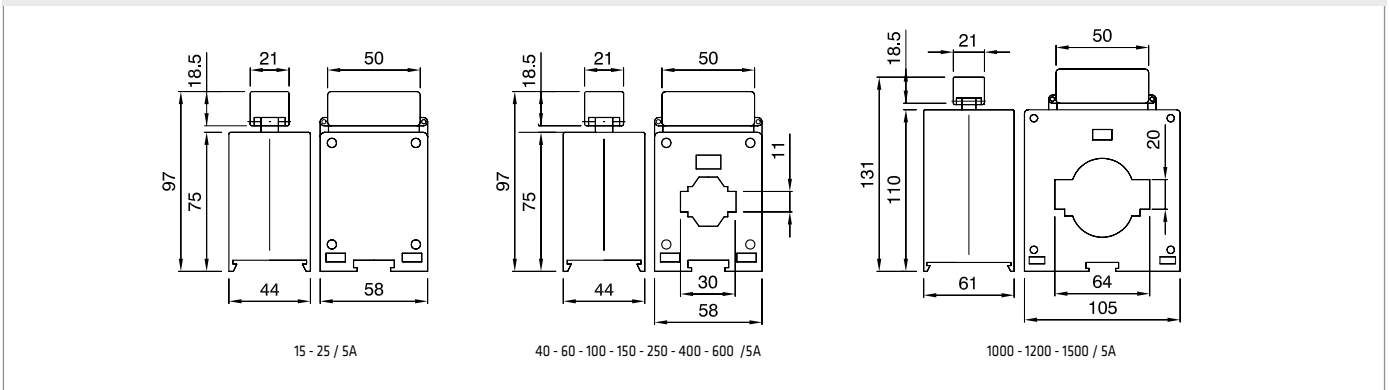


MODULAR ACCESSORIES

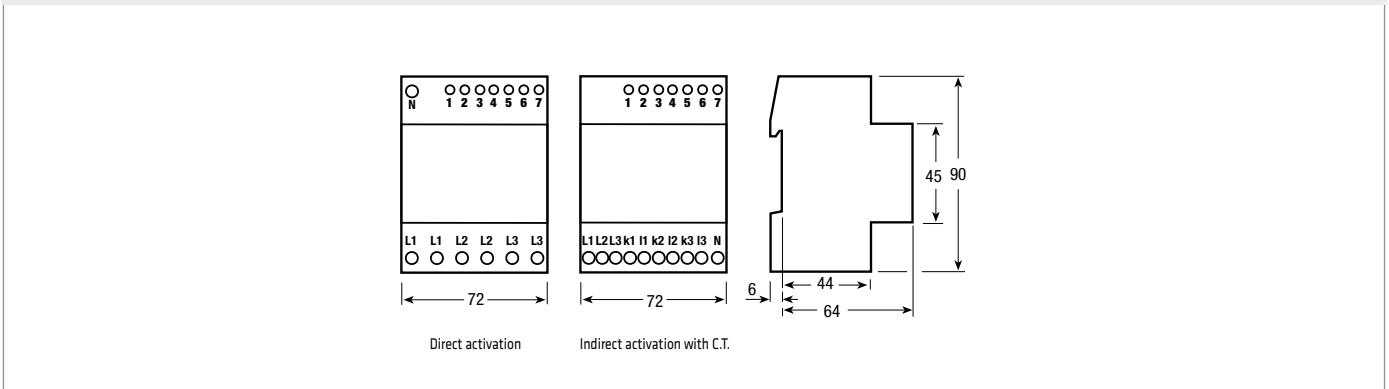
NETWORK ANALYSER, MULTIMETER



CURRENT TRANSFORMERS



THREE-PHASE DIGITAL ENERGY METERS



SINGLE-PHASE DIGITAL ENERGY METERS

