



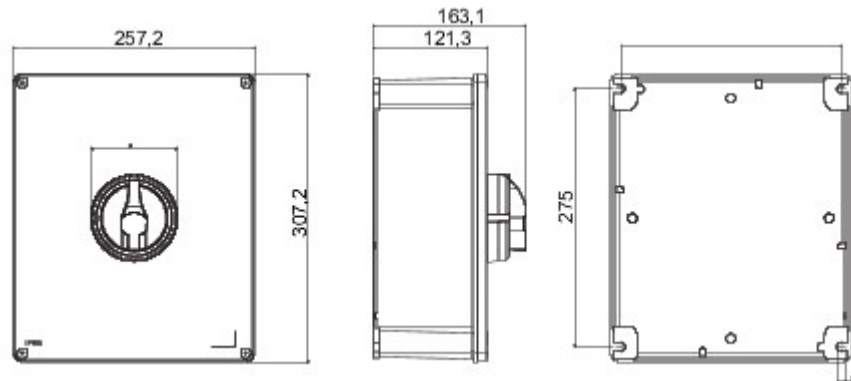
70 RT HP is a new range of 16A to 160A switch disconnectors in isolating material and metal, supplied in a box. Available in control and emergency versions, the range is completed by board versions for front-panel or DIN rail assembly, in 16 to 63A options, all of which can be equipped with auxiliary contacts. These devices have been designed to deliver the ultimate in reliability, functionality and performance. They offer a technologically advanced solution that simplifies installation, reduces wiring times and ensures maximum safety and robustness, even in the most demanding conditions, thanks to the use of high-performance materials.

| | | | |
|------------------------|---------------------------|---------------------------|---------------------------|
| Version | Box | Material | Metal |
| Type | For emergency | Rated current (A) | 100 |
| No. of poles | 3P+N | Circuit breaker | Rotary isolator |
| IP degree | IP66 | Mechanical resistance | IK10 (IK08 knob) |
| Ambient temperature | -25 +60 °C | Lid screws (no. and type) | 4 metal screws |
| Lockable | YES (max. 3 locks in OFF) | Type of accessory | Max. 4 auxiliary contacts |
| Current in AC22 (415V) | 100 | Current in AC23 (415V) | 100 |
| Cable section | Max 70 mm ² | Outer dim. LxHxD (mm) | 257x307x121 |
| Electrocod | 1742 | | |

BEHAVIOUR WITH CHEMICAL AND ATMOSPHERIC AGENTS

| Saline solution | Acids | | Bases | | Solvents | | | | Mineral oil | UV rays |
|-----------------|--------------------|-----------|---------------|--------------------|--------------------|---------------|---------------|--------------------|-------------|-----------|
| | Concentrated | Diluted | Concentrated | Diluted | Hexane | Benzol | Acetone | Ethyl alcohol | | |
| Resistant | Limited resistance | Resistant | Not resistant | Limited resistance | Limited resistance | Not resistant | Not resistant | Limited resistance | Resistant | Resistant |

DIMENSIONAL



TECHNICAL SYMBOLOGY

IP

IP66

IK

IK10 (IK08 knob)

STANDARDS/APPROVALS

