
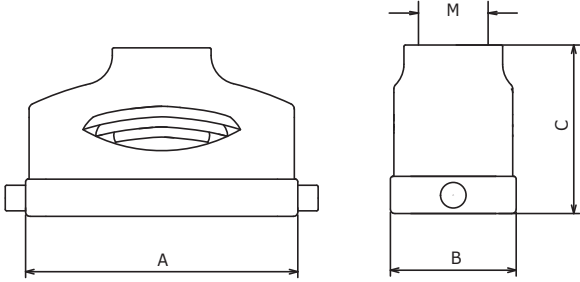






Hoods top entry with 2 pegs for one lever	Size	Thread	Type STD													
			Part No.													
	6B 44x27	M25	7806.6554.0													
	16B 77x27	M25	7816.6558.0													
																
<table border="1"> <thead> <tr> <th>Size</th> <th>A</th> <th>B</th> <th>C</th> </tr> </thead> <tbody> <tr> <td>6B 44x27</td> <td>60</td> <td>43.5</td> <td>53</td> </tr> <tr> <td>16B 77x27</td> <td>94</td> <td>43.5</td> <td>58</td> </tr> </tbody> </table>					Size	A	B	C	6B 44x27	60	43.5	53	16B 77x27	94	43.5	58
Size	A	B	C													
6B 44x27	60	43.5	53													
16B 77x27	94	43.5	58													
<p>     </p> <ul style="list-style-type: none"> - Type: STD for standard applications and inserts up to 500V series: S-D, S-DD, S-E, S-ES, S-EP, S-EE, S-HSB, S-ESHV, S-K, S-M, S-EHV crimp - IP66 protection degree - For IP66 cable glands 																