
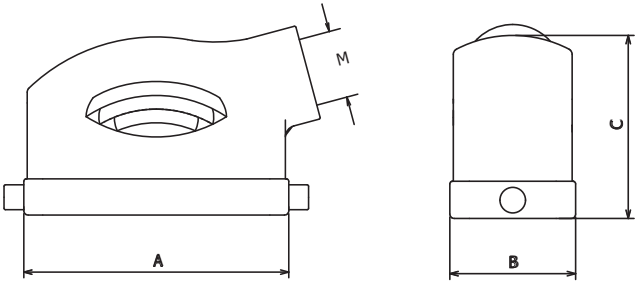



Hoods side entry with 2 pegs for one lever	Size	Thread		Type STD Part No.																				
  <table border="1" data-bbox="165 1279 751 1487"> <thead> <tr> <th>Size</th> <th>A</th> <th>B</th> <th>C</th> </tr> </thead> <tbody> <tr> <td>6B 44x27</td> <td>60</td> <td>43.5</td> <td>47</td> </tr> <tr> <td> </td> <td> </td> <td> </td> <td> </td> </tr> <tr> <td> </td> <td> </td> <td> </td> <td> </td> </tr> <tr> <td> </td> <td> </td> <td> </td> <td> </td> </tr> </tbody> </table> <p data-bbox="137 1711 751 1872">  - Type: STD for standard applications and inserts up to 500V series: S-D, S-DD, S-E, S-ES, S-EP, S-EE, S-HSB, S-ESHV, S-K, S-M, S-EHV crimp - IP66 protection degree - For IP66 cable glands </p>	Size	A	B	C	6B 44x27	60	43.5	47													6B 44x27	M25		7806.6552.0
Size	A	B	C																					
6B 44x27	60	43.5	47																					