

Bulkhead mounting housings with cover and one lever

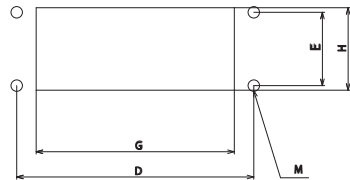
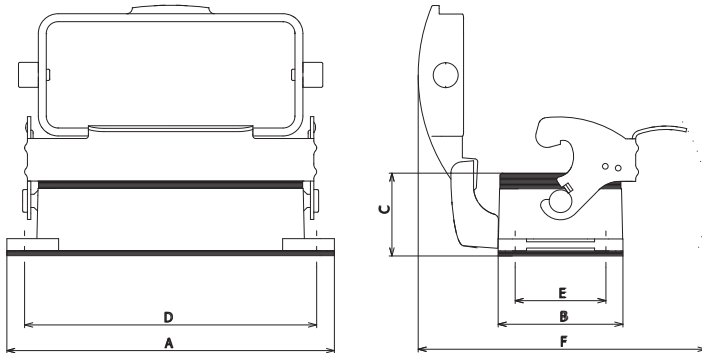
Size

Type STD-HV

Type STD

Part No.

Part No.



Panel cut out

6B 44x27		7806.6402.0
10B 57x27		7810.6404.0
16B 77x27		7816.6406.0
24B 104x27		7824.6408.0
32B 77x62	7832.6410.0	7832.6410.0
48B 104x62	7848.6411.0	7848.6411.0

Size	A	B	C	D	E	F	G	H	M
6B 44x27	82	44	29.5	70	32	101	53	36	4.5
10B 57x27	95.5	44	29.5	83	32	101	66.5	36	4.5
16B 77x27	115.5	44	29.5	103	32	101	86.5	36	4.5
24B 104x27	142.5	44	29.5	130	32	101	113	36	4.5
32B 77x62	124.5	84.5	35.5	110	65	146	87.5	76.5	5.5
48B 104x62	169	91	40	148	70	174.5	122.5	79.5	6.5



- Type: STD for standard applications and inserts up to 500V series: S-D, S-DD, S-E, S-ES, S-EP, S-EE, S-HSB, S-ESHV, S-K, S-M, S-EHV crimp
- Type: STD-HV for standard applications and inserts up to 830V S-EHV series screw terminal and S-HSB for applications over 500V up to 830V
- IP66 protection degree
- Metal cover with stainless steel springs, screws and pegs