
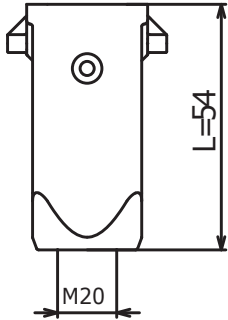
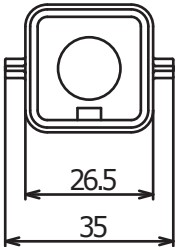





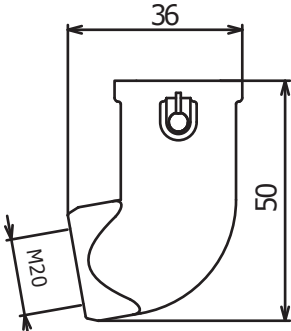
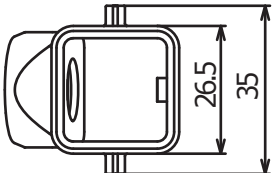






Hoods without gasket for insert S-A, S-D, S-Q series	Type	Thread	Part No.
   <p>     US Type 4/4x/12 </p> <ul style="list-style-type: none"> - Type STD for standard applications - For inserts size 3A, S-A, S-D, S-Q series - With metric thread M20 - IP66 protection degree - With Zinc-plated steel lever 	STD	M20	7803.6228.0
<p>Hoods side entry</p>    <p>     US Type 4/4x/12 </p> <ul style="list-style-type: none"> - Type STD for standard applications - For inserts size 3A, S-A, S-D, S-Q series - With metric thread M20 - IP66 protection degree - With Zinc-plated steel lever 	STD	M20	7803.6230.0