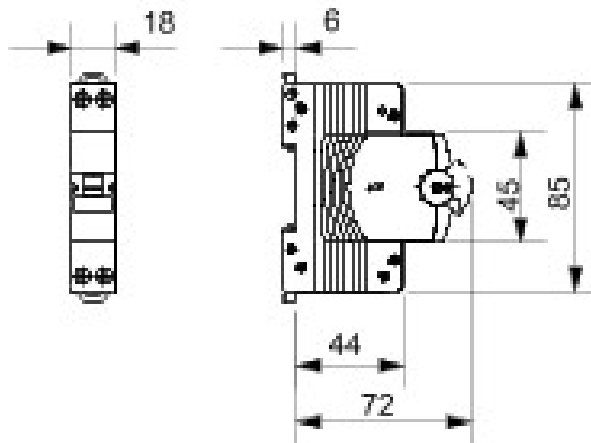




Description COMPACT MINIATURE CIRCUIT BREAKER
 Code MTC 60
 No. of poles 1P+N
 No. modules 1
 Rated current 10 A
 Curve B
 Rated voltage 230 V

| | | | |
|---|-------------------------------------|------------------------------------|--------------------------------|
| Standard | EN 60898, EN 60947-2 | Rated frequency (Hz) | 50/60 Hz |
| Breaking capacity EN 60898 230V (Icn) | 6000 A | Breaking capacity EN 60898 (Ics) | 1 x Icn |
| Breaking capacity EN 60947-2 230V (Icu) | 10 kA | Breaking capacity EN 60947-2 (Ics) | 100% Icu |
| Insulation voltage | 500 V | Rated impulse withstand voltage | 4 kV |
| Minimum operating voltage | 12V ac/dc | Maximum operating voltage | 440V AC / 220V DC |
| Electrical endurance | 10000 | Mechanical endurance | 20.000 |
| Section rigid cable | <=1x16 - <=1x10+1x6 mm ² | Section flexible cable | <=1x10 - <=2x6 mm ² |
| Rated tightening torque | 1.2 Nm | Operating temperature | -25 +60 °C |
| Stocking temperature | -40 +70 °C | Electrocod | 1411 |

DIMENSIONAL



STANDARDS/APPROVALS



GEWISS S.p.A. Via A. Volta, 1
 24069 Cenate Sotto - Bergamo - Italy
 tel. +39 035 94 61 11 fax +39 035 94 69 09

www.gewiss.com
 sat@gewiss.com
 Last update 29/05/2021

Data, measures, designs and pictures are shown only as informative purposes, and could be changed without previous notice