

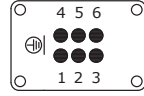
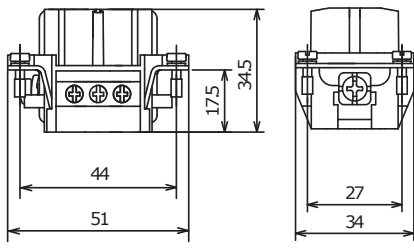
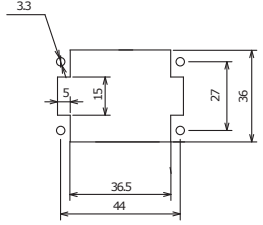


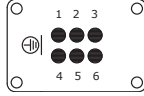
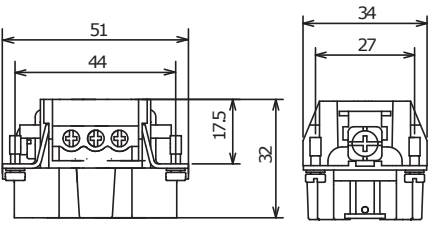
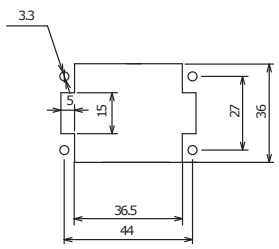


Screw terminal inserts	Size 6B, 6p + ⊕ UL/CSA : 600 V	Type	Part No.
<p>Female inserts</p>  <p></p> <p>Silver plated contacts with cross/slot screws</p>	<p>Contact arrangement View from termination side</p>    <p>Panel cut out for inserts For use without hood/housing</p>	<p>Screw terminals with wire protection Section: 0.5-2.5 mm² (20-14 AWG)</p>	<p>7306.6003.0</p>
<p>Male inserts</p>  <p></p> <p>Silver plated contacts with cross/slot screws</p>	<p>Contact arrangement View from termination side</p>    <p>Panel cut out for inserts For use without hood/housing</p>	<p>Screw terminals with wire protection Section: 0.5-2.5 mm² (20-14 AWG)</p>	<p>7306.6103.0</p>
<p>Hood/housing size 6B «44x27»</p>	<p>Dimensions in mm Part No. bold letters refer to standard availability. Normal letters refer to items on special request.</p>		