



Cable frame with brush

- ▶ Brush frame for pre and non-terminated cables
- ▶ Tidy and cost effective solution
- ▶ Available in three sizes (24, 16 and 10)



Model	Code	Dimensions [mm]		Cut-out [mm]	Pcs /pack
		L1	L2		
DES Z 24	1731060024	146	130	108 x 39	1 / 10
DES Z 16	1731060016	120	103	86 x 39	
DES Z 10	1731060010	99	83	63 x 39	
Upon request:	1731991020	Set of 4 mounting screws in AISI304 with Black Dacromet finishing			1 / 10

The DES Z series enables multiple cables and connector sizes to be accommodated.

Effective protection against dust and debris.

1

Technical data

Material: PP+GF

Flammability: self-extinguishing acc. to UL94-V0

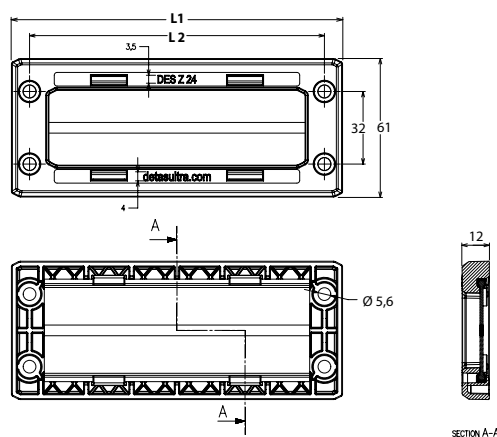
Temperature: -40°C... +155°C (static)

Features: halogens and silicones free

Related products

Hydraulic punch driver HY360

Dimensions [mm]



--	--	--	--	--	--	--	--	--	--