

THERMOPLASTIC CHAMBER SYSTEMS

Code: PZ
 Colour: grey
 Material: thermoplastic

Application field: especially suitable for containing cut-out systems and earth connections in electrical systems and buried telecommunications systems
 Installation type: underground

Load resistance

Version	Dimensions	Breaking load* (kg/cm ²)
Square	200x200x200	7.4
Square	300x300x300	4.8
Square	400x400x400	2
Square	550x550x520	2.7
Rectangular	360x260x320	7.7

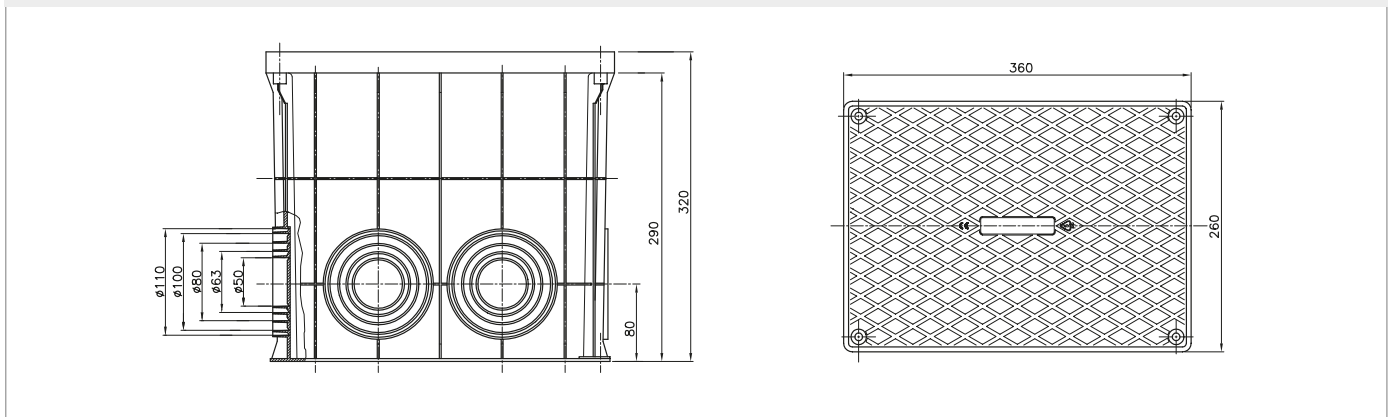
* The breaking load values refer to closed high-resistance covers.

Breaking load in accordance to UNI EN 124.

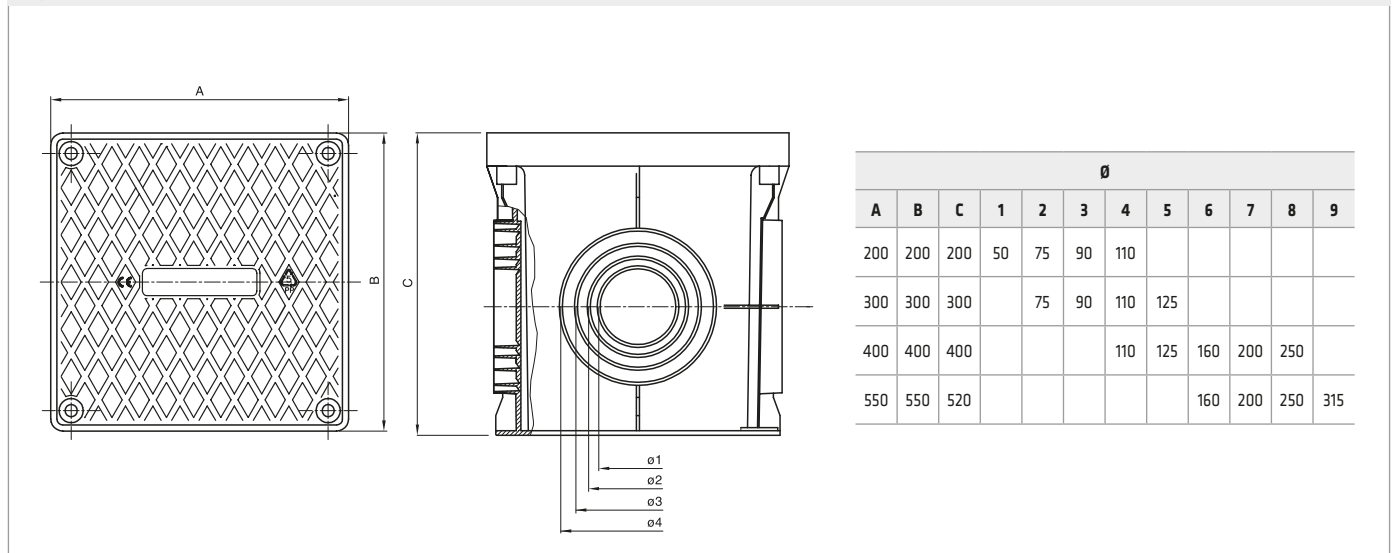
It is advisable to firmly anchor the electrical boxes to the ground. Prepare a concrete bed of at least 10cm and cover the rest with earth and cement, taking care to avoid height differences between the electrical box cover and the ground surface.

Dimension tables

RECTANGULAR ELECTRICAL BOXES - DX 59 501 - DX 59 502



SQUARE ELECTRICAL BOXES



For technical information contact the Technical Assistance Service or visit gewiss.com