



Description HIGH PERFORMANCE MINIATURE CIRCUIT BREAKER

Code MTHP 160

No. of poles 1P

No. modules 1,5

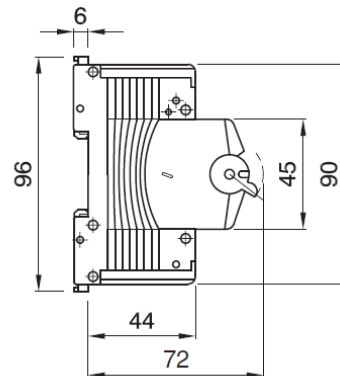
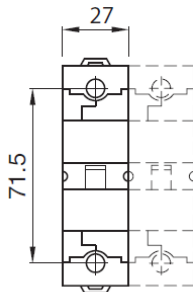
Rated current 50A

Curve D

Rated voltage 230-400 V

Standard	EN 60898, EN 60947-2	Rated frequency (Hz)	50/60 Hz
Breaking capacity EN 60898 230V (Icn)	10000 A	Breaking capacity EN 60898 400V (Icn)	10000 A
Breaking capacity EN 60898 (Ics)	0.75 x Icn	Breaking capacity EN 60947-2 230V (Icu)	16 kA
Breaking capacity EN 60947-2 400V (Icu)	4,5 kA	Breaking capacity EN 60947-2 (Ics)	50% Icu
Insulation voltage	500 V	Rated impulse withstand voltage	6 kV
Minimum operating voltage	12V ac/dc	Maximum operating voltage	440V AC / 220V DC
Electrical endurance	10000	Mechanical endurance	20.000
Section rigid cable	<=1x70 - <=2x25 - <=2x25+1x10 mm ²	Section flexible cable	<=1x50(2) - <=2x25 - <=3x16 mm ²
Rated tightening torque	3.5 / 3 (terminals)	Operating temperature	-25 +60 °C
Stocking temperature	-40 +70 °C	Electrocod	1411

DIMENSIONAL



STANDARDS/APPROVALS

