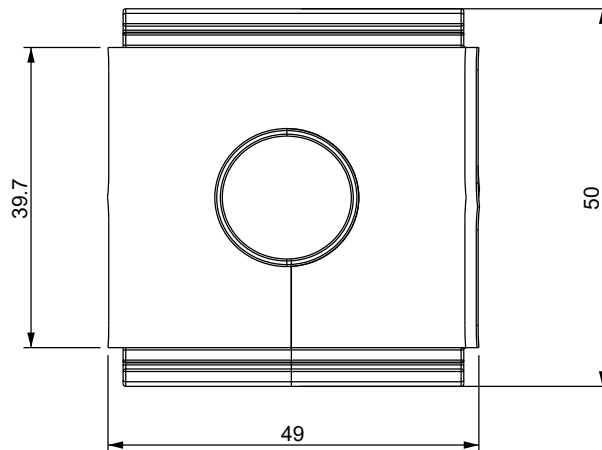
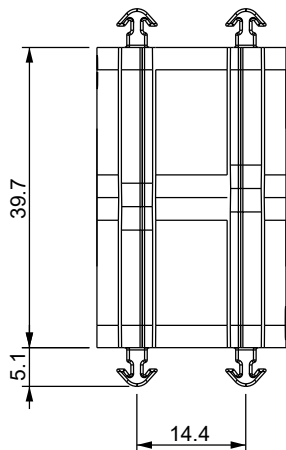
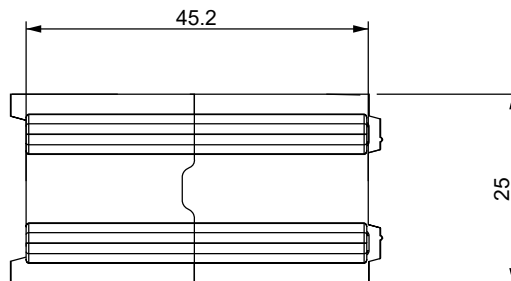
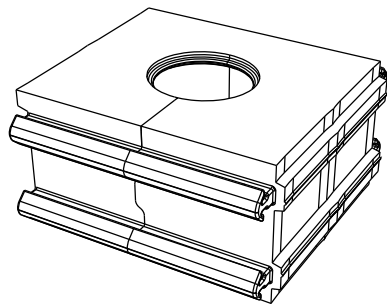


A

B

C

D



| Grey | | Black | | Ø Cable [mm] |
|-------------|------------|-------------|------------|--------------|
| Description | Code | Description | Code | |
| SPG 0G | 1731022000 | SPG 0B | 1731022020 | / |
| SPG 17G | 1731022117 | SPG 17B | 1731022217 | 17-18 |
| SPG 18G | 1731022118 | SPG 18B | 1731022218 | 18-19 |
| SPG 19G | 1731022119 | SPG 19B | 1731022219 | 19-20 |
| SPG 20G | 1731022120 | SPG 20B | 1731022220 | 20-21 |
| SPG 21G | 1731022121 | SPG 21B | 1731022221 | 21-22 |
| SPG 22G | 1731022122 | SPG 22B | 1731022222 | 22-23 |
| SPG 23G | 1731022123 | SPG 23B | 1731022223 | 23-24 |
| SPG 24G | 1731022124 | SPG 24B | 1731022224 | 24-25 |
| SPG 25G | 1731022125 | SPG 25B | 1731022225 | 25-26 |
| SPG 26G | 1731022126 | SPG 26B | 1731022226 | 26-27 |
| SPG 27G | 1731022127 | SPG 27B | 1731022227 | 27-28 |
| SPG 28G | 1731022128 | SPG 28B | 1731022228 | 28-29 |
| SPG 29G | 1731022129 | SPG 29B | 1731022229 | 29-30 |
| SPG 30G | 1731022130 | SPG 30B | 1731022230 | 30-31 |
| SPG 31G | 1731022131 | SPG 31B | 1731022231 | 31-32 |
| SPG 32G | 1731022132 | SPG 32B | 1731022232 | 32-33 |
| SPG 33G | 1731022133 | SPG 33B | 1731022233 | 33-34 |
| SPG 34G | 1731022134 | SPG 34B | 1731022234 | 34-35 |

Flammability: UL94-V0, self-extinguishing
Temperature: -40°C ... +110°C
Properties: halogen-free, silicone-free



IP66

NEMA 4X

NEMA 12



ECOLAB



RoHS COMPLIANT



Codice / Code

see table

Descrizione / Description

SPG

Rev.
003

Materiale / Material

TPE

Colore / Color

see table

Peso / Weight (g)

-

Unità di misura / Measure units

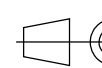
mm

Formato / Format

A4

Scala / Scale

1:1

UNI-ISO
2768-mk

www.detasultra.com

QUESTO DISEGNO E LE SUE INFORMAZIONI SONO STRETTAMENTE RISERVATE DI PROPRIETA' DETAS SPA. NON UTILIZZARE PER SCOPI DIVERSI DA QUELLI PER CUI SONO STATE FORNITE. DO NOT SCALE DRAWING.

Data / Date

14/10/2020

Numero foglio / Sheet number

-

Numero progetto / Project number

-

Disegn. / Drawn

ravezzano@detas.com

Note / Notes

-

A

B

C

D