



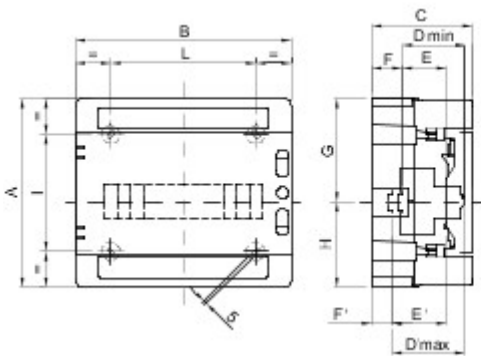
IP65 range of watertight enclosures from 4 to 72M with smoked transparent door. The main technical features are: reversible front and back panel, removable frames and panels with windows and detachable doors with up to 180° opening and lock accessory. The enclosures can be equipped with bipolar and unipolar terminal blocks, 80 A and 125 A, with screw wiring; they allow to create simple and neat wiring reducing the set-up time of the enclosure.

|                                  |                                              |                                      |                                                           |
|----------------------------------|----------------------------------------------|--------------------------------------|-----------------------------------------------------------|
| Insulation class                 | II (according to IEC 61140 standards)        | Colour                               | Grey RAL 7035                                             |
| Outer dim. LxHxD (mm)            | 215x210x100                                  | IP degree                            | IP65                                                      |
| Dispersible power (W)            | 16                                           | Mechanical resistance                | IK09                                                      |
| Rated voltage                    | 400 V                                        | Door colour                          | Smoked Transparent                                        |
| No. of modules EN 50022          | 8                                            | Rated current                        | 125 A                                                     |
| Glow Wire Test                   | 650 °C                                       | Operating temperature                | -25 +60 °C                                                |
| Type of material                 | Halogen-free in compliance with EN 60754-2   | Electrocod                           | 0321                                                      |
| Thermo-pressure with ball        | 70 °C                                        | Accessories for insulation restoring | Screwcaps (GW44623) or fixing brackets in resin (GW44621) |
| Standard                         | EN 60670-1 (CEI 23-48) IEC60670-24 CEI 23-49 | Insulation voltage                   | 1000 V according to EN 62208 both in ac as well as in dc  |
| Max. installable terminal blocks | 1 x 8 modules                                |                                      |                                                           |

#### BEHAVIOUR WITH CHEMICAL AND ATMOSPHERIC AGENTS

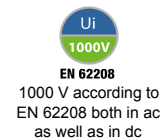
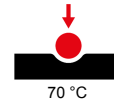
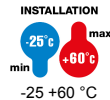
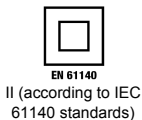
| Saline solution | Acids         |                    | Bases         |                    | Solvents           |               |               |                    | Mineral oil        | UV rays            |
|-----------------|---------------|--------------------|---------------|--------------------|--------------------|---------------|---------------|--------------------|--------------------|--------------------|
|                 | Concentrated  | Diluted            | Concentrated  | Diluted            | Hexane             | Benzol        | Acetone       | Alcohol            |                    |                    |
| Resistant       | Not resistant | Limited resistance | Not resistant | Limited resistance | Limited resistance | Not resistant | Not resistant | Limited resistance | Limited resistance | Limited resistance |

#### DIMENSIONAL



|                      | A   | B   | C   | Dmin | E  | F  | G     | H     | Dmax | E' | F' | NR | I   | L   |
|----------------------|-----|-----|-----|------|----|----|-------|-------|------|----|----|----|-----|-----|
| 8M <b>GW 40 102</b>  | 210 | 215 | 110 | 75   | 48 | 15 | 105   | 105   | -    | -  | -  | 4  | 10  | 16  |
| 12M <b>GW 40 103</b> | 260 | 298 | 140 | 75   | 48 | 48 | 117,5 | 142,5 | 112  | 75 | 21 | 4  | 161 | 200 |
| 18M <b>GW 40 106</b> | 285 | 410 | 140 | 75   | 48 | 48 | 117,5 | 142,5 | 112  | 75 | 21 | 4  | 185 | 310 |

#### TECHNICAL SYMBOLOGY



#### STANDARDS/APPROVALS

